

CP-UNP-H4081L50-DRP

8MP WDR 40x IR Network PTZ Camera- 500 Mtr.

- 1/1.8" 8MP PS CMOS Image Sensor (1.411 cm)
- Max. 25/30fps@8MP
- Powerful 40x Optical zoom and 16x Digital zoom
- WDR(120dB), 2D/3D-DNR, Day/Night (ICR), Optical Defog, ROI, AGC, AWB, BLC, HLC
- Up to 300 Presets, 5 Auto scan, 8 Tour, 5 Pattern
- Support Starlight Technology
- IR Range of 500 Mtr., Support Auto-Tracking
- Max 240° /s pan speed, 360° endless pan rotation
- Support Smart Wiper
- Built-in 7/2 alarm in/out, IP67, Micro SD Card, Hi-PoE
- Support Face Recognition
- Mobile Software: iCMOB, gCMOB
- CMS Software: KVMS Pro



System Overview

Understanding the need of the hour in the security and surveillance industry, this series has been integrated with the starlight technology along with efficient and powerful deep-learning algorithms to make your life hugely easier. The numerous AI-based smart functions of this camera let you capture a face, protect the perimeter and even count people, greatly improving the accuracy of your video analysis. This camera also complies with international certification standards such as IP67 and IK10, as this camera is not just dust-proof and water-proof but also shock-proof and vandal-proof (which is given in selected models).

Functions

Starlight Technology

This camera is widely used to provide sharper and clearer picture quality with the help of its exceptional starlight sensitivity as the camera improves night vision in low light conditions. This technology is useful in conditions with extremely low light as the starlight technology turns almost completely dark images into those of clear colors.



CP-UNP-H4081L50-DRP

8MP WDR 40x IR Network PTZ Camera- 500 Mtr.

Functions

Wide Dynamic Range (WDR)

When a scene is partly dark and partly bright, that is the dynamic range that distorts images due to this difference in the lighting. WDR technology provides you balanced lighting for a clear and vivid image throughout the day. WDR technology can be installed at entry/exit points of any building structure, jewellery shops, outdoor location among so many other places.

Face Recognition

With the help of the deep learning algorithm that is used in this technology, people can easily be detected, tracked, recorded, and captured. It takes only a second to detect one human face. This facial recognition technology uses biometrics to map facial features from a photograph or video and compares the information with a database of known faces to find a match.

Smart Analytical Support

Using an advanced algorithm, smart analytical technology lets you set a multitude of safety parameters and sends you alerts when any of those parameters have been compromised. Not just when there's an occurrence of tripwire or intrusion, but also in the cases of missing or abandoned objects.

Auto-Tracking

This technology enables you to control the pan/tilt/zoom actions in your camera in varying proportions to let you automatically and continuously track an object in the scener that is in motion or is moving. This function comes with the option of automatic or manual tracking depending on the condition to make it more efficient. This is done on the basis of predefined rules. Once such a rule is triggered, the camera can take over on its own and can track the defined target automatically.

Regions of Interest

Regions of Interest is a user defined feature that allows the operator to monitor specific areas of a scene while still maintaining overall situational awareness of less important areas.

About CP PLUS

The brand that is on its way to lead the world when it comes to the security and surveillance industry, CP PLUS, keeps bombarding the market with the most reliable range of products that have been designed carefully and methodically to automate the whole surveillance and security process, no matter how big your premises are.

It was the initiative to help the public in the area where they are the most vulnerable and to empower the sense of safety in our hearts that had conceptualized CP PLUS. And embarking on its mission to make the world a safer and more secure place has taken the brand's journey to unprecedented levels even when compared to international competitors.



CP-UNP-H4081L50-DRP

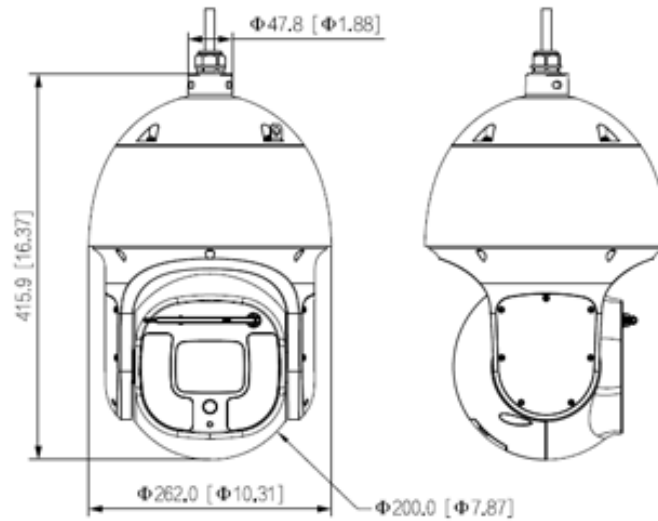
8MP WDR 40x IR Network PTZ Camera- 500 Mtr.

Feature	Specification
Image Sensor	1/1.8" 8MP PS CMOS (1.411 cm)
Effective Pixels	3840 (H) x 2160 (V)
S/N Ratio	≥55dB
RAM & ROM	2 GB & 8 GB
Minimum Illumination	Color: 0.005 lux@F1.4; B/W: 0.0005 lux@F1.4; 0 lux@F1.4 (IR on)
Max. Aperture	F1.4–F4.5
Focal Length	5.6 mm–223 mm
White Balance	Auto/Indoor/Outdoor/Tracking/Manual/Sodium lamp/Natural /Street lamp
Focus Control	Auto/Semi-Auto/Manual
Close Focus Distance	0.5 m–2m
Iris Control	Auto; Manual
DORI Distance	4400m (Detect), 1740m (Observe), 880m (Recognize), 440m (Identify)
Angle of View	H: 63.9°–2.0°; V: 37.3°–1.1 °; D: 71.2°–2.3 °
Electronic Shutter	1/1s~1/30,000s
AGC control	Auto / Manual
Back Light Compensation	BLC / HLC / WDR(120dB)
Optical Zoom	40x
Digital Zoom	16x
Pan Travel	0°~360° endless, Pan Speed: 0.1° ~240° /s
Tilt Travel	-30° ~ +90°, auto flip 180°, Tilt Speed: 0.1° ~100°/sec
Manual Speed	Pan: 0.1° ~240° /s; Tilt: 0.1° ~100° /s
Presets	300
Preset Speed	Pan: 240° /s; Tilt: 120° /s
Power-off Memory	Support

Feature	Specification
Bit Rate	H264: 512 kbps–16384 kbps; H265: 256 kbps–10240 kbps
Special Features	Optical Defog, Up to 300 Presets, 5 Pattern, 8 Tour (up to 32 presets per tour), 5 Auto Scan
IR Range	IR Range upto 500 Mtr.
IR Number	10 IR lights
Privacy Masking	Up to 24 areas, and up to 8 areas in the same view
Idle Motion	Preset/Tour/Pattern/Scanning
Day/Night: IR Cut Filter	Auto (ICR) / Color / B/W
Video Compression	H.265; Smart H.264+; H.264; MJPEG (Sub Stream 1)
Encode Strategy	Instream
Analog Output	1 BNC
Streaming Method	Unicast/Multicast
Resolution	4K (3840 × 2160); 4M (2560 × 1440); 1080p (1920 × 1080); 1.3M (1280 × 960); 720p (1280 × 720); D1 (704 × 576); CIF (352 × 288)
Video Streaming	Main stream: 4K/4M/1080p/1.3M/720p (1–25/30 fps) Sub stream 1: D1/CIF (1–25/30 fps) Sub stream 2: 1080p/1.3M/720p (1–25/30 fps)
Audio Compression	G.711a; G.711mu; G.726; AAC; G722.1; G.729; MPEG2-Layer2; G723
Smart Wiper	Support
Motion Detection	Support
ROI	Support
Audio Streaming	1/1 channel In/Out
Auto Tracking	Support
Face Recognition	Support
Video Metadata	Support human body, human face, motor vehicle and non-motor vehicle image capture and attributes extraction.
Browser	IE7 and later versions, Chrome 42 and earlier versions, Firefox 52 and earlier versions, Safari
Networking	RJ-45 (10/100Base-T)
RS-485	1 RS485 Port (Baud rate range: 1200 bps–9600bps)
IVS	Object Abandoned; Object Missing

Feature	Specification
Perimeter Protection	Tripwire; intrusion; climbing fences; loitering detection; abandoned/missing object; fast moving; parking detection; people gathering; vehicle/human alarm classification
Protocols	IPv4; IPv6; HTTP; HTTPS; 802.1x; QoS; FTP; SMTP; UPnP; SNMP v1/v2c/v3 (MIB-2); DNS; DDNS; NTP; RTSP; RTP; TCP; UDP; IGMP; ICMP; DHCP; PPPoE; ARP; RTCP; RTMP; ONVIF (Profile S&G&T); CGI
Alarm	7/2 channel In/Out
Smart Phone	iPhone, iPad, Android Phone
Micro SD Card	Micro SD card (512GB)
Storage	FTP
Weather Proof Standard	IP67; TVS 6000V lightning protection; surge protection; voltage transient protection
Operating Temperature	-40°C to +70°C (-40°F to 158°F)
Operating Humidity	≤95%
Dimension	415.6 mm × Φ262 mm (16.36" × Φ10.31")
Power Source	DC36V/2.23A±25% ; HI-PoE
Power Consumption	Basic: 30 W; Max.: 48 W (illuminator + PTZ working)
Casing	Metal
Weight	10 kg

Dimensions (mm/inch)



Accessories : Optional



CP-UA-B3P

Pole Mount Bracket

Company Name:

CP PLUS (Aditya Infotech Ltd.)

F-28 Okhla Industrial Area, Phase 1,

New Delhi - 110020, INDIA

Contact Mail ID :- customercare@cpplusworld.com