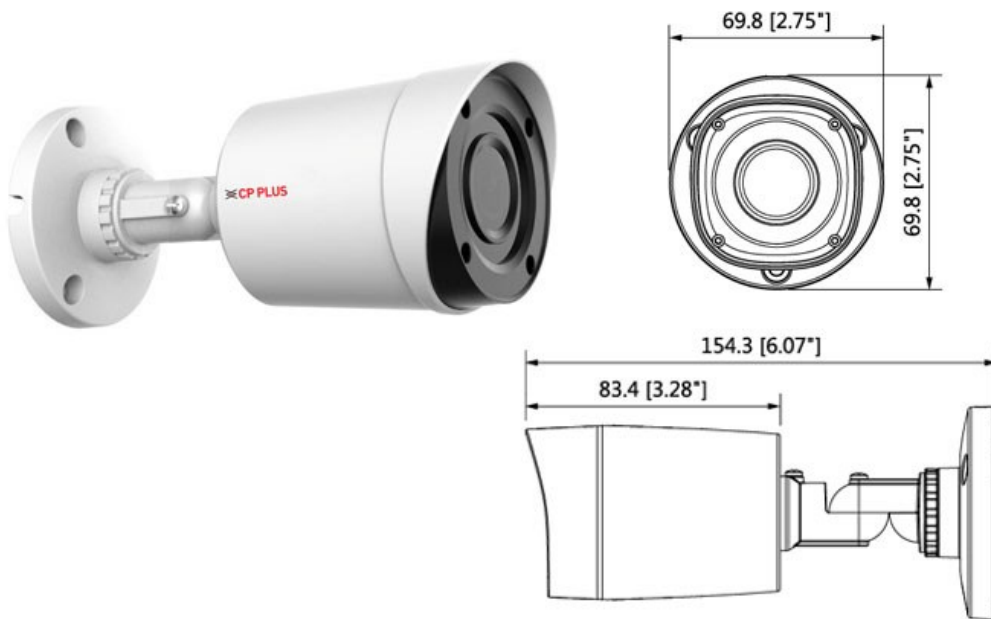


CP- USC-TA24L2**2.4MP Full HD IR Cosmic Bullet Camera - 20Mtr.****COSMIC**
HD CAMERA**Main Features**

- 1/2.7" 2.4MP PS CMOS Image Sensor
- Max 25/30fps@ 2.4MP
- DWDR, Day/Night (ICR), 2D-DNR, AWB, AGC, BLC, HLC
- 3.6mm fixed lens (2.8mm, 6mm optional)
- IR Range of 20 Mtrs., IP67
- OSD Menu, control over coaxial cable, 2D-DNR
- HD, SD, and Two Others Analog formats output switchable



CP- USC-TA24L2**2.4MP Full HD IR Cosmic Bullet Camera - 20Mtr.****COSMIC**
HD CAMERA**Feature**

Image Sensor
Minimum Illumination
Effective Pixels
Shutter Speed
White Balance
Gain Control (AGC)
Lens
Back Light Compensation
Angle of View
S/N Ratio
Video Streaming
Video Output
ICR
OSD
IR
Operating Temperature
Power Source
Power Consumption
Weatherproof Standard
Casing
Dimension
Weight

Specification

1/2.7" CMOS
0.02Lux/F1.85, 30IRE, 0Lux IR on
2.4MP
PAL: 1/25~1/100000s NTSC: 1/30~1/100000s
Auto / Manual
Auto
3.6mm (2.8mm, 6mm Optional)
BLC / HLC / DWDR
H: 87.5° (103°, 54.7°)
More than 65dB
25/30fps@2.4MP, 25/30/50/60fps@720P
1-channel BNC high definition video output / CVBS video output (Can switch)
Auto (ICR) / Manual
Multi-language
IR Range of 20 Mtr.
-40°C ~ +60°C (-40°F ~ +140°F) / Less than 95% RH
12V DC ±30%
Max 3.3W (12V DC, IR on)
IP67
Plastic
154.3mm×69.8mm×69.8mm (6.07"×2.75"×2.75")
0.15kg