

CP-ANW-HPU8H2D-N12

8 Port PoE + 2 Uplink Port

Outdoor AI PoE Switch

- Networking standard: IEEE 802.3i 10BASE-T, IEEE 802.3u 100BASE-TX, IEEE 802.3x Flow Control, IEEE 802.3af/at/bt Power over Ethernet.
- Support 6KV lightning protection, 8KV surge protection.
- PoE Power Budget : 120W.
- Support bt 60W High Power (PoE Port 7~8).
- Water Resistant AI PoE Switch.
- AI Watchdog Function.
- Support IP65 Rating.



System Overview

As most of the CP PLUS products have been integrated with the Power of Ethernet technology which makes troubleshooting easier in case any errors occur. This can be done with the help of a PoE Switch makes increases reliability rapidly.

Functions

Supports Full/Half Duplex Mode

The duplex mode makes this Ethernet Switch capable of sending and receiving information at the same time, enabling bi-directional network data transmissions to save time and money.



CP-ANW-HPU8H2D-N12

8 Port PoE + 2 Uplink Port

Outdoor AI PoE Switch

Functions

Better Connectivity

This PoE Switch has designed for outstanding power with flexible placement for better and advanced connectivity between network devices.

Switching Performance

This PoE Switch offers the forwarding capacity to simultaneously process traffic on all ports at line rate without any packet loss.

Easy to Use

This PoE Switch is quite easy to install and use. It requires no configuration and installation. With outstanding performance and quality, this AI PoE Switch is a great selection for expanding your home or workplace network.

6KV Surge Protection

6KV is an internal electrical wiring standard which means that when large currents enter the device, the clamping voltage increases as well, so there will be a large amount of destructive energy getting passed through the 6KV protection. The 6KV surge protection is a feature in this PoE Switch that was designed to protect all the connected electrical devices from voltage spikes.

About CP PLUS

The brand that is on its way to lead the world when it comes to the security and surveillance industry, CP PLUS, keeps bombarding the market with the most reliable range of products that have been designed carefully and methodically to automate the whole surveillance and security process, no matter how big your premises are.

It was the initiative to help the public in the area where they are the most vulnerable and to empower the sense of safety in our hearts that had conceptualized CP PLUS. And embarking on its mission to make the world a safer and more secure place has taken the brand's journey to unprecedented levels even when compared to international competitors.



CP-ANW-HPU8H2D-N12

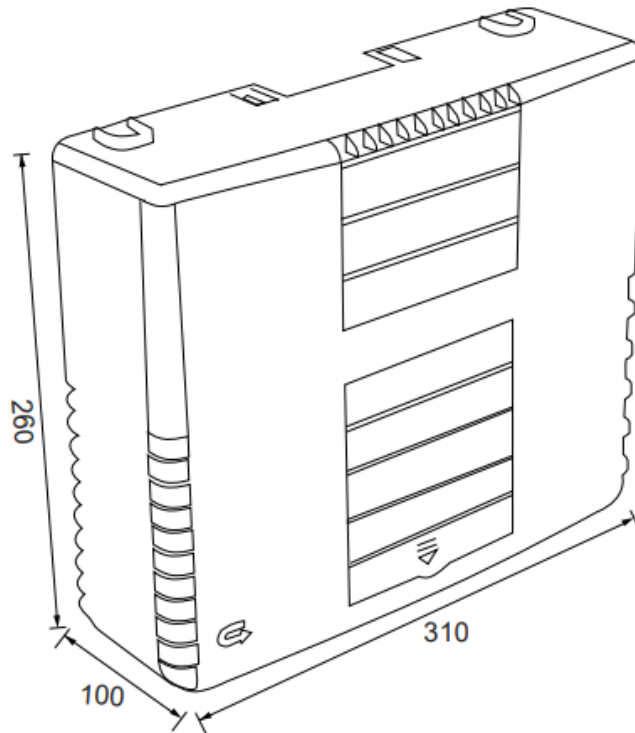
8 Port PoE + 2 Uplink Port

Outdoor AI PoE Switch

Feature	Specification
Network Port	PoE (1~6): 10/100Mbps PoE ports (RJ45) PoE (7~8): 10/100Mbps PoE ports (RJ45),Support bt 60W High Power LAN: 10/100Mbps uplink ports (RJ45)
Network Standard	IEEE 802.3i 10BASE-T IEEE 802.3u 100BASE-TX IEEE 802.3x Flow Control IEEE 802.3af/at/bt Power over Ethernet
Transmission Rate	200Mbps Full Duplex; 10 or 100Mbps Half Duplex
Transmission Distance	1~2 ports 250m 10Mbps / 3~8 ports 130m 100Mbps
MAC Address Table	2K
Bandwidth	2.0 Gbps
Network Latency	(10 to 100Mbps): $\leq 16\mu s$ (use the 64byte package size)
Frame Filter & Transmission Rate	14800pps the most for 10Mbps port, 148800pps the most for 100Mbps port
Power Budget	120W
Power Input	AC 180~240V, Total \leq 120W
PoE Watchdog	Port 1~8
Power Output	PoE 1~6 Port: 1/2(+52V), 3/6 (GND) \leq 30W PoE 7~8 Port: 1245(+53V), 3678 (GND) compatible 1/2 (+52V), 3/6 (GND) \leq 60W
Lightning Protection	6KV, Per: IEC61000-4-5
ESD Protection	8KV, Per: IEC61000-4-2
Weatherproof Standard	IP65
Operating Temperature	-30°C ~60°C

Feature	Specification
Operating Humidity	10%~90% (Non-condensing)
Storage Temperature	-40°C ~70°C
Storage Humidity	5%~90% (Non-condensing)
Dimensions	310mm(L) x 260mm(W) x 100mm(H)
Weight	1.6Kg
Package Content	AC Power Cable, User Manual

Dimensions (mm/inch)



Company Name:

CP PLUS (Aditya Infotech Ltd.)

F-28 Okhla Industrial Area, Phase 1,

New Delhi 110020, INDIA

Contact Mail ID :- customercare@cpplusworld.com