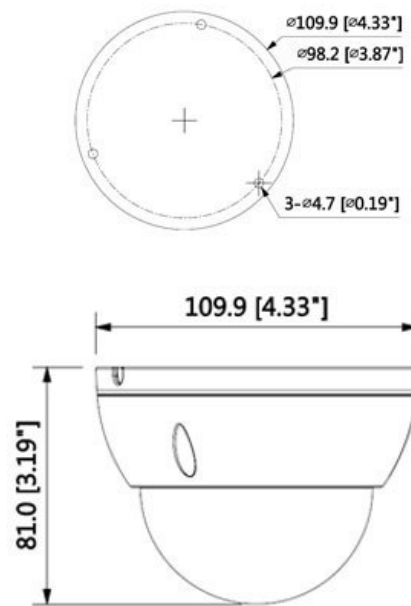


CP- UNC-NB51L3-MDS**5MP WDR IR Network Vandal Dome Camera - 30Mtr.****Main Features**

- 1/2.7" 5MP CMOS Image sensor (0.9407 cm)
- Max. 5MP@20fps
- Support Starlight Technology
- H.265+/H.264+ Dual Stream Coding
- WDR(120dB), Day/Night (ICR), 3D-DNR, ROI, AWB, AGC, BLC, HLC
- 3.6mm fixed lens (2.8mm optional)
- IR Range of 30 Mtrs, IP67, IK10, Micro SD Card, PoE
- Mobile Software: iCMOB, gCMOB
- CMS Software: KVMS Pro



CP- UNC-NB51L3-MDS

5MP WDR IR Network Vandal Dome Camera - 30Mtr.

Feature

Image Sensor
 Effective Pixels
 Minimum Illumination
 Electronic Shutter Speed
 S/N Ratio
 Field of View
 White Balance
 Lens
 Gain Control (AGC)
 Back Light Compensation
 Video Compression

Specification

1/2.7" 5MP PS CMOS Image Sensor (0.9407 cm)
 2592 (H) × 1944 (V)
 0.008 Lux@F1.6
 Auto/Manual 1/3 s–1/100000 s
 >56 dB
 2.8 mm: Horizontal: 103.0° , Vertical: 71.0° , Diagonal: 132.0°
 3.6 mm: Horizontal: 84.0° , Vertical: 58.0° , Diagonal: 110.0°
 Auto/natural/street lamp/outdoor/manual/regional custom
 3.6mm fixed lens (2.8mm optional)
 Auto/Manual
 BLC/ HLC/ WDR(120dB)
 H.265+; H.265; H.264+; H.264; H.264B; MJPEG
 2592×1944(2592×1944); 2688×1520(2688×1520); 3M(2048×1536); 2304×1296(2304×1296);
 1080p(1920×1080); 1.3M (1280 × 960); 720p(1280×720); D1(704× 576/704×480); VGA
 (640×480); CIF(352×288/352×240)
 Main stream:2592 × 1944 (1 fps-20 fps) 2688 × 1520 (1 fps-25/30 fps)
 Sub stream: 704 × 576 (1 fps-25 fps) 704 × 480 (1 fps-30 fps)
 Yes
 OFF/ON (4 areas, rectangular)
 4 Areas
 Day/Night
 Yes (4 areas)
 H.264: 32 kbps–8192 kbps; H.265: 12 kbps–8192 kbps
 Intrusion; tripwire
 Abnormality detection: Motion detection, video tempering, no SD card, SD card full, SD card error, network disconnected, IP conflict, illegal access, voltage detection
 HTTP; TCP; ARP; RTSP; RTP; UDP; RTCP; SMTP; FTP; DHCP; DNS; DDNS; PPPoE; IPv4/v6; QoS;
 UPnP; NTP; RTMP; Multicast; HTTPS; SFTP; 802.1x; ICMP; IGMP; ONVIF (Profile S/Profile G/T);
 CGI; InstaOn; Milestone; Genetec
 RJ-45 (10/100Base-T)

CP- UNC-NB51L3-MDS

5MP WDR IR Network Vandal Dome Camera - 30Mtr.

Feature

User Account

IR

Smart Phone

Micro SD

Operating Temperature

Operating Humidity

Storage Temperature

Storage Humidity

Power Source

Power Consumption

Weatherproof Standard

Casing

Dimension

Weight

Specification

20 Users

IR Range of 30 Mtr.

iPhone, iPad, Android Phone

FTP; Micro SD card (max. 256 GB); NAS

-40°C to +60°C (-40°F to +140°F)

≤95%

-40°C to +60°C (-40°F to +140°F)

≤95%

12V DC/PoE

< 6.1W

IP67, IK10

Metal

81mm × Φ109.9mm (3.19" × Φ4.33")

0.350 kg