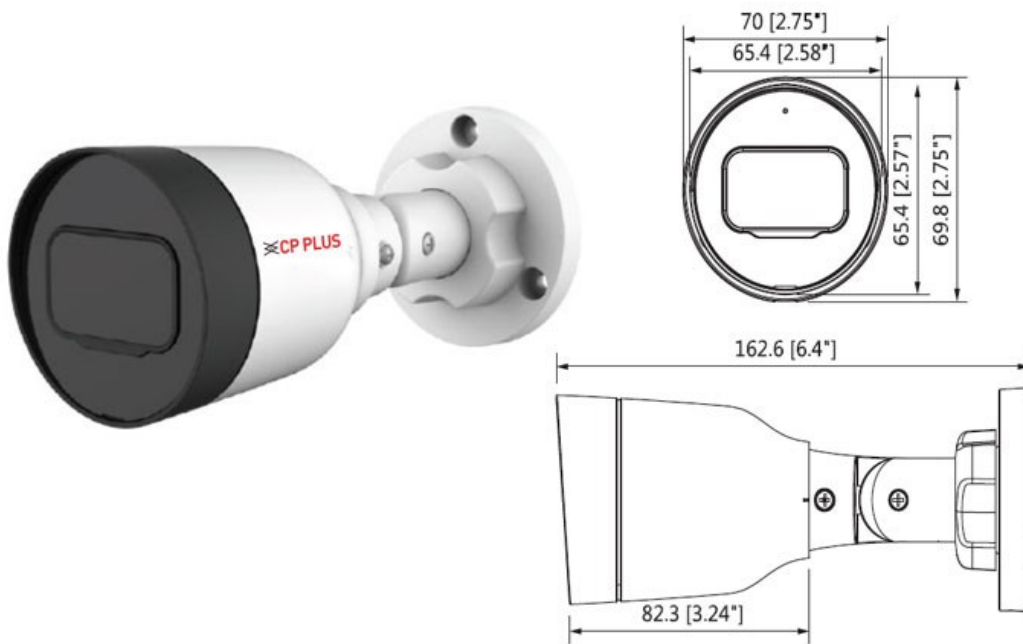


CP- UNC-TA31PL3**3MP IR Network Bullet Camera - 30Mtr.****Main Features**

- 1/2.7" 3MP PS CMOS Image Sensor
- 3MP (2304 × 1296) @20fps, 2MP (1920 × 1080) @25/30fps
- H.265+ and H.264+ dual-stream encoding
- DWDR, Day/Night (ICR), 3D-DNR, ROI, EIS, AWB, AGC, BLC, HLC
- 3.6mm fixed lens (2.8mm optional)
- IR Range of 30 Mtrs, IP67, PoE
- Mobile Software: iCMOB, gCMOB
- CMS Software: KVMS Pro



CP-UNC-TA31PL3

3MP IR Network Bullet Camera - 30Mtr.

Feature

Image Sensor

Effective Pixels

Minimum Illumination

Shutter Speed

White Balance

Gain Control (AGC)

Lens

Video Compression

Angle of View

Back Light Compensation

Video Streaming

Resolution

Motion detection

Privacy Mask

ICR

ROI

Bit Rate

Protocol

Ethernet

User Account

IR

Smart Phone

Operating Temperature

Power Source

Power Consumption

Weatherproof Standard

Casing

Specification

1/2.7" 3MP Progressive scan CMOS

2304 (H) × 1296 (V)

0.02 Lux @F2.0

Auto/Manual 1/3 s–1/100000 s

Auto/natural/street lamp/outdoor/manual/regional custom

Auto/Manual

3.6mm (2.8mm optional)

H.265+/H.265/H.264+/H.264/ H.264H/ H.264B/ MJPEG

3.6mm: Horizontal: 87° Vertical: 47° Diagonal: 104°, 2.8mm: Horizontal: 105° Vertical: 57° Diagonal: 125°

BLC/ HLC/ DWDR

Main Stream: 2304 × 1296 (1 fps–20 fps) 1920 × 1080 (1 fps–25/30 fps) Sub stream: 704 × 576 (1 fps–25 fps) 704 × 480 (1 fps–30 fps)

2304 × 1296 (2304 × 1296); 1080p (1920 × 1080); 1.3m (1280 × 960); 720p (1280 × 720); D1 (704 × 576/704 × 480); VGA (640 × 480); CIF (352 × 288/352 × 240)

OFF/ON (4 areas, rectangular)

4 areas

Auto (ICR)/Color/B/W

Yes (4 areas)

H.264: 32 Kbps–6144 Kbps H.265: 12 Kbps–6912 Kbps

IPv4; HTTP; HTTPS; TCP; UDP; ARP; RTP; RTSP; SMTP; FTP; DHCP; DNS; NTP; Multicast, ONVIF (Profile G); CGI; P2P; Genetec

RJ-45 (10/100Base-T)

6 Users

IR Range of 30 Mtr.

iPhone, iPad, Android Phone

-40°C to +60°C (-40°F to +140°F)/less than ≤ 95%

12V DC/PoE (802.3af)

<4.2W

IP67

Metal + plastic

 **CP- UNC-TA31PL3****3MP IR Network Bullet Camera - 30Mtr.****Feature**

Dimension

Weight

Specification

162.6 mm × Ø70 mm (6.4" × Ø2.8")

0.22kg