

CP-UNC-TE81ZL6P-VMDS

8MP AI WDR IR Network Bullet Camera - 60Mtr.

- 1/1.8" 8MP PS CMOS Image Sensor (1.411 cm)
- Outputs Max. 8MP (3840× 2160)@30fps
- Instastream, AI Instastream, H.265, Smart H.264+ stream encoding
- WDR(120dB), Day/Night (ICR), 3D-DNR, EIS, Defog, ROI, AWB, AGC, BLC, HLC
- 2.7 -12mm Motorized Lens
- Support Starlight Technology
- Support SMD 3.0
- Anti-corrosion model optional
- IR Range of 60 Mtrs, Micro SD Card, IP67, IK10, ePoE, PoE
- Mobile Software: iCMOB, gCMOB
- CMS Software: KVMS Pro



System Overview

Understanding the need of the hour in the security and surveillance industry, this series has been integrated with the starlight technology along with efficient and powerful deep-learning algorithms to make your life hugely easier. The numerous AI-based smart functions of this camera let you capture a face, protect the perimeter and even count people, greatly improving the accuracy of your video analysis. This camera also complies with international certification standards such as IP67 and IK10, as this camera is not just dust-proof and water-proof but also shock-proof and vandal-proof (which is given in selected models).

Functions

Face Detection

With the help of the deep learning algorithm that is used in this technology, people can easily be detected, tracked, recorded, and captured. It takes only a second to detect one human face. Face detection is useful in cameras to help with auto-focus. This technology is mainly used to identify the presence of a human face.



CP-UNC-TE81ZL6P-VMDS

8MP AI WDR IR Network Bullet Camera - 60Mtr.

Functions

Wide Dynamic Range (WDR)

When a scene is partly dark and partly bright, that is the dynamic range that distorts images due to this difference in the lighting. WDR technology provides you balanced lighting for a clear and vivid image throughout the day. WDR technology can be installed at entry/exit points of any building structure, jewellery shops, outdoor location among so many other places.

Instastream

This camera has been designed with the latest and most efficient innovation among the standard video compression designs. Smart encoding algorithms developed by CP PLUS help in saving up to 70% more bandwidth than H.265 along with making it more beneficial for minimizing bandwidth and storage costs. It enhances video coding efficiency while providing high resolution and the rate of frame in the video using Intelligent Region Perception to detect motion in each frame.

Smart Analytical Support

Using an advanced algorithm, smart analytical technology lets you set a multitude of safety parameters and sends you alerts when any of those parameters have been compromised. Not just when there's an occurrence of tripwire or intrusion, but also in the cases of missing or abandoned objects.

True Day/Night (ICR)

When the scene is too dark, the image is captured by illuminating an infrared light through the camera onto the scene that greatly helps with making the scene visible for the lens. It delivers color images during the day and automatically switches to the monochrome feature as the scene darkens.

Regions of Interest

Regions of Interest (ROI) is a user defined feature that allows the operator to monitor specific areas of a scene while still maintaining overall situational awareness of less important areas.

gCMOB/ iCMOB

Designed to allow users to access and control live streaming from CP PLUS IP Cameras, DVRs/ NVRs and Video Door Phones, the CP PLUS gCMOB/ iCMOB application offers a host of features such as Easy GUI, up to 16 live viewing split-ups; InstaOn cloud support; Playback; digital zoom ins; two-way talk, and more.

About CP PLUS

The brand that is on its way to lead the world when it comes to the security and surveillance industry, CP PLUS, keeps bombarding the market with the most reliable range of products that have been designed carefully and methodically to automate the whole surveillance and security process, no matter how big your premises are.

It was the initiative to help the public in the area where they are the most vulnerable and to empower the sense of safety in our hearts that had conceptualized CP PLUS. And embarking on its mission to make the world a safer and more secure place has taken the brand's journey to unprecedented levels even when compared to international competitors.



CP-UNC-TE81ZL6P-VMDS

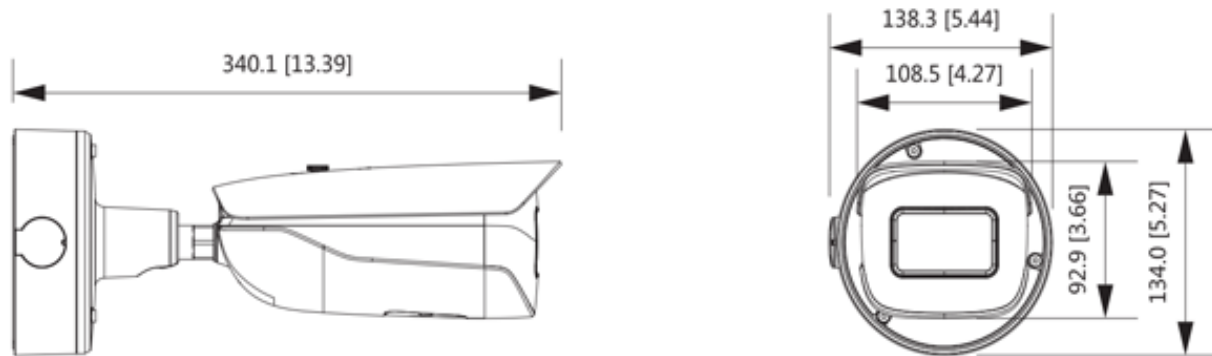
8MP AI WDR IR Network Bullet Camera - 60Mtr.

Feature	Specification
Image Sensor	1/1.8" 8MP Progressive scan CMOS (1.411 cm)
Minimum Illumination	0.003 Lux@F1.42(Color, 30 IRE) 0.0003 Lux@F1.2 (B/W, 30 IRE) 0 lux (IR on)
Shutter Speed	Auto/Manual, 1/3 s–1/100000 s
White Balance	Auto/Natural/Street Lamp/Outdoor/Manual/Regional custom
Lens	2.7 -12mm Motorized Lens
Close Focus Distance	W: 1.75 m (5.7 ft) T: 5.21 m (17.1 ft)
Iris Control	Auto
Lens Mount	φ14
Max. Aperture	F1.2
Lens Type	Motorized
DORI Distance	W– 87.6m (Detect) 34.4m (Observe) 17.52m (Recognize) 8.76m (Identify) T– 186.6m(Detect) 78.64m (Observe) 37.32m (Recognize) 18.66m (Identify)
Gain Control (AGC)	Auto/Manual
Video Compression	H.265, Smart H.264+, H.264, H.264B, H.264H, MJPEG (only supported by sub stream)
S/N Ratio	> 56dB
Angle of View	Horizontal: 112.1°–47.5° Vertical: 58.0°–26.6° Diagonal: 137.5°–54.6°
Encode Strategy	Instastream, AI Instastream
Video Streaming	Main stream: 3840 × 2160 (1 fps–25/30 fps) Sub stream: D1 (1 fps–25/30 fps) Third stream: 1080p (1 fps–25/30 fps) *The values above are the max. frame rates of each stream; for multiple streams, the values will be subjected to the total encoding capacity.
Resolution	3840 × 2160; 3072 × 2048; 3072 × 1728; 2592 × 1944; 2688 × 1520; 2048 × 1536; 2304 × 1296; 1080p (1920 × 1080); 1.3 MB (1280 × 960); 720p (1280 × 720); D1 (704 × 576/704 × 480); VGA (640 × 480); CIF (352 × 288/352 × 240)

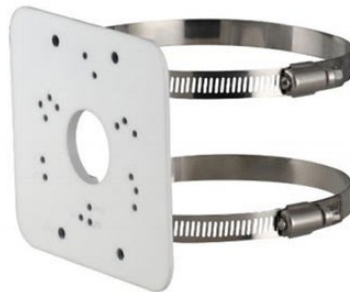
Feature	Specification
Back Light Compensation	BLC/ HLC/ WDR(120dB)
Motion detection	Off/On (4 Zone, Rectangle)
Privacy Mask	8 areas
ICR	Auto (ICR)/Color/B/W
Mirror	Yes
ROI	Yes (4 areas)
Audio Input	1 channel (3.5 mm JACK port)
Audio Compression	PCM; G.711a; G.711Mu; G.726; G.723
Audio Output	1 channel (3.5 mm JACK port)
Alarm IN	3 channels in: 5 mA 3V–5 VDC
Alarm Out	2 channels out: 1,000 mA 30 VDC/500 mA 50 VDC
Protocol	IPv4; IPv6; HTTP; HTTPS; TCP; UDP; ARP; RTP; RTSP; RTCP; RTMP; SMTP; FTP; SFTP; DHCP; DNS; DDNS; QoS; UPnP; NTP; Multicast; ICMP; IGMP; NFS; SAMBA; PPPoE; 802.1x; SNMP; ONVIF (Profile S/Profile G/Profile T); CGI; Milestone; InstaOn
Smart Detection	Abandoned object; missing object, Heat Map
Ethernet	RJ-45 (10/100Base-T)
Face Detection	Face detection; track; snapshot optimization; snapshot; face enhancement; face exposure; face matting setting: face, single inch photo; three snapshot methods: real-time snapshot, optimized snapshot, quality priority snapshot; face angle filter; optimization time setting
Intelligent Search	Work together with Smart NVR to perform refine intelligent search, event extraction and merging to event videos.
Alarm Event	No SD card; SD card full; SD card error; network disconnection; IP conflict; illegal access; motion detection; video tampering; defocus detection; scene changing; intrusion; tripwire; abandoned object; missing object; fast moving; parking detection; loitering detection; people gathering; input abnormal detection; intensity change detection; people counting; face detection; people counting in area; stay alarm; people No. exception detection; queue management
Perimeter Protection	Tripwire; intrusion; fast moving (the three functions support the classification and accurate detection of vehicle and human); loitering detection; people gathering; parking detection
People Counting	Support the counting of enter number, leave number and pass number, and displaying and outputting yearly/monthly/daily reports. Support the counting of number in area, and 4 rules configuration. Count number of people or stay time and link alarm. Support queue management, and 4 rules configuration. Count number of people or stay time and link alarm.

Feature	Specification
SMD 3.0	Less false alarm, longer detection distance
RS-485	1 (baud rate range:1200 bps–115200 bps)
OTA (Online Device Upgrade)	Support
Cloud Health Monitoring System (HMS)	Support
SDK and API	Yes
Cyber Security	Video encryption; configuration encryption; Digest; WSSE; account lockout; security logs; generation and importing of X.509 certification; HTTPS; trusted boot; trusted execution; trusted upgrade
User/Host	20 (Total bandwidth: 80 M)
IR	IR Range of 60 Mtr., Smart IR
Smart Phone	iPhone, iPad, Android Phone
Micro SD	FTP; SFTP; Micro SD card (Support max. 256 G); NAS
Operating Temperature	-40 °C to +60 °C (-40 °F to +140 °F)/Less than 95% RH
Storage Temperature	-40 °C to +60 °C (-40 °F to +140 °F)
Power Source	12 VDC (±25%)/24 VAC (±30%)/PoE (802.3at)/ePoE
Power Consumption	Basic: 5.5W (12 VDC); 6.0 W (24 VAC); 6.2 W (PoE) Max. (H.265 + 3 streams + Intelligence + IR on + heating): 15.9 W (12 VDC); 18.1 W (24 VAC); 18.7 W (PoE) Heating: 3.3 W (12 VDC); 4.4 W (24 VAC); 3.9 W (PoE)
Weatherproof Standard	IP67 & IK10
Casing	Metal + Plastic
Dimension	340.1 mm × 138.3 mm × 134.0 mm (13.39" × 5.44" × 5.28") (L × W × H)
Weight	1.6 kg

Dimensions (mm/inch)



Accessories : Optional



CP-UA-B2P
Pole Mount

Company Name:

CP PLUS (Aditya Infotech Ltd.)

F-28 Okhla Industrial Area, Phase 1,

New Delhi 110020, INDIA

Contact Mail ID :- customercare@cpplusworld.com