

# CP-UNC-TG81ZL12-VMD

## 8MP AI IR Network Bullet Camera

- 1/1.8" 8MP PS CMOS Image Sensor (1.411 cm)
- Max. outputs 8MP(3840×2160)@25fps/30fps
- Instastream/H.265/Smart H.264+/H.264 coding
- Five streams for three-channel HD video
- WDR(120dB), Day/Night (ICR), 3D-DNR, EIS, Defog, ROI, AWB, AGC, BLC, HLC
- 8mm~ 32mm Motorized lens
- IR Range of 120 Mtrs, IP67, IK10, Micro SD Card, ePoE, PoE+
- With deep learning algorithm, it supports people counting, face recognition, perimeter protection etc
- Anti-corrosion coating (optional)
- Mobile Software: iCMOB, gCMOB
- CMS Software: KVMS Pro



### System Overview

Understanding the need of the hour in the security and surveillance industry, this series has been integrated with the starlight technology along with efficient and powerful deep-learning algorithms to make your life hugely easier. The numerous AI-based smart functions of this camera let you capture a face, protect the perimeter and even count people, greatly improving the accuracy of your video analysis. This camera also complies with international certification standards such as IP67 and IK10, as this camera is not just dust-proof and water-proof but also shock-proof and vandal-proof (which is given in selected models).

### Functions

#### Face Detection

With the help of the deep learning algorithm that is used in this technology, people can easily be detected, tracked, recorded, and captured. It takes only a second to detect one human face. Face detection is useful in cameras to help with auto-focus. This technology is mainly used to identify the presence of a human face.



# CP-UNC-TG81ZL12-VMD

## 8MP AI IR Network Bullet Camera

### Functions

#### Smart Analytical Support

Using an advanced algorithm, smart analytical technology lets you set a multitude of safety parameters and sends you alerts when any of those parameters have been compromised. Not just when there's an occurrence of tripwire or intrusion, but also in the cases of missing or abandoned objects.

#### Wide Dynamic Range (WDR)

When a scene is partly dark and partly bright, that is the dynamic range that distorts images due to this difference in the lighting. WDR technology provides you balanced lighting for a clear and vivid image throughout the day. WDR technology can be installed at entry/exit points of any building structure, jewellery shops, outdoor location among so many other places.

#### Face Recognition

This technology can be used to extract faces from a range of cameras and is capable of processing large quantities of faces in real-time or post-event and can provide alerts to help with access and authentication, border security, and crowd control.

### About CP PLUS

The brand that is on its way to lead the world when it comes to the security and surveillance industry, CP PLUS, keeps bombarding the market with the most reliable range of products that have been designed carefully and methodically to automate the whole surveillance and security process, no matter how big your premises are.

It was the initiative to help the public in the area where they are the most vulnerable and to empower the sense of safety in our hearts that had conceptualized CP PLUS. And embarking on its mission to make the world a safer and more secure place has taken the brand's journey to unprecedented levels even when compared to international competitors.

#### Instastream

This camera has been designed with the latest and most efficient innovation among the standard video compression designs. Smart encoding algorithms developed by CP PLUS help in saving up to 70% more bandwidth than H.265 along with making it more beneficial for minimizing bandwidth and storage costs. It enhances video coding efficiency while providing high resolution and the rate of frame in the video using Intelligent Region Perception to detect motion in each frame.

#### gCMOB/ iCMOB

Designed to allow users to access and control live streaming from CP PLUS IP Cameras, DVRs/ NVRs and Video Door-phones, the CP PLUS gCMOB/ iCMOB application offers a host of features such as Easy GUI, up to 16 live viewing split-ups; InstaOn cloud support; Playback; digital zoom ins; two-way talk, and more.

#### KVMS Pro

The KVMS Pro is a hybrid security management software that allows the management of various surveillance devices such as cameras, DVRs/ NVRs, encoders/ decoders, etc. It is released with the surveillance hardware and exclusively supports CP PLUS devices.



# CP-UNC-TG81ZL12-VMD

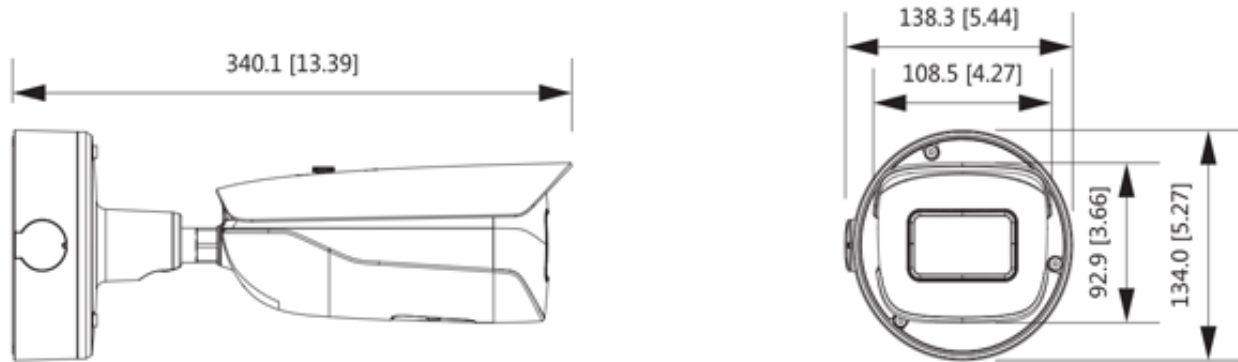
## 8MP AI IR Network Bullet Camera

| Feature                 | Specification   |
|-------------------------|---|
| Image Sensor            | 1/1.8" 8Megapixel Progressive CMOS (1.411 cm)   |
| Effective Pixels        | 3840 (H) × 2160 (V)   |
| Minimum Illumination    | 0.005 Lux@F1.6 (Color, 30IRE) 0.0005 Lux@F1.6 (B/W, 30IRE) 0 Lux (IR on)  |
| Shutter Speed           | Auto/Manual, 1/3~1/100000s  |
| White Balance           | Auto/natural/street lamp/outdoor/manual/regional custom   |
| Lens                    | 8~32 mm motorized Lens  |
| Gain Control (AGC)      | Auto/Manual   |
| S/N Ratio               | >56dB   |
| Bit Rate Control        | CBR/VBR   |
| Iris Type               | Auto; Precise iris control  |
| Mount Type              | Module  |
| Close Focus Distance    | W: 2.5m ; T: 6m   |
| Max. Aperture           | F1.6  |
| Lens Type               | Motorized   |
| DORI Distance           | W: 218m (Detect), 87m (Observe), 43m (Recognize), 21m (Identify)<br>T: 580m (Detect), 232m (Observe), 116m (Recognize), 58m (Identify)  |
| Angle of View           | Horizontal: 40° (W)–15° (T) ; Vertical: 23° (W)–9° (T) ; Diagonal: 45° (W)–17° (T)  |
| Video Compression       | H.265, Smart H.264+, H.264, H.264H, H.264B, MJPEG (only supported by sub stream)  |
| Encode Strategy         | Instastream   |
| Back Light Compensation | BLC/ HLC/ WDR(120dB)  |
| Video Streaming         | Main Stream: 3840 × 2160 (1–25/30 fps) Sub stream: 704 × 576 (1–25fps);704 × 480 (1–30fps)<br>Third stream: 1920 × 1080 (1–25/30 fps) Fourth stream: 1920 × 1080 (1–25/30 fps)<br>Fifth stream: 704 × 576 (1–25fps);704 × 480 (1–30fps) |
| Resolution              | 8MP (3840 × 2160), 6MP (3072 × 2048/3072 × 1728), 5MP (2592 × 1944), 4MP (2688 × 1520),<br>3MP (2048 × 1536/2304 × 1296), 1080P (1920 × 1080), 1.3MP (1280 × 960),<br>720P (1280 × 720), D1 (704 × 576/704 × 480), VGA (640 × 480)      |
| Motion detection        | OFF/ON (4 areas, rectangular)   |

| Feature                 | Specification   |
|-------------------------|---|
| Privacy Mask            | 8 areas   |
| ICR                     | Auto (ICR)/Color/B/W  |
| ROI                     | Yes (4 areas)   |
| Audio Input             | 1 channel (3.5mm JACK port)   |
| Audio Compression       | G.711a; G.711Mu; G726; G.723  |
| Audio Output            | 1 channel (3.5mm JACK port)   |
| Alarm IN                | 3 channel In: 5mA 5V DC   |
| Alarm Out               | 2 channel Out: 1000mA 30V DC/500mA 50V AC   |
| Face Detection          | Face detection, track, priority, snapshot, Upload Optimized snapshot picture; face enhancement, face exposure, face attribute extract, 6 attributes and 8 expressions: Gender, age, glasses, expressions (anger, sadness, disgust, fear, surprise, calm, happiness and confusion), Mouth mask, beard; Face matting setting: face, single inch photo Three snapshot; methods: real-time snapshot, priority snapshot, quality priority; Face angle filter Priority time setting; Support Duration Optimal, Non-living Filtering   |
| Face Recognition        | There are two models: General mode and counting mode.<br>General mode: Face detection; track; snapshot; snapshot optimization; face enhancement; face exposure; face attribute extraction including 6 attributes (gender, age, glasses, expressions, mask and beard) and 8 expressions (anger, calm, happiness, sadness, disgust, surprise, confusion and fear); supports up to 5 face databases with 50,000 face pictures in total; supports non-living filtering  |
| Face and Body Detection | There are two modes: General mode and PPE Detection.<br>General mode: Supports enabling face detection and human detection at the same time, and alarms can be triggered.<br>PPE Detection: Supports PPE detection, can detect attributes including face mask, safety helmet, glasses, and safety vest, top color and bottom color, and determine whether PPE requirements are met. Alarms can be triggered according to the alarm settings   |
| People Counting         | Support tripwire number counting, people counting in area, and displaying and outputting yearly/monthly/daily reports. Support queue management, and displaying and outputting monthly/daily reports. Support 4 tripwire rules configuration, people counting in 4 areas, and 4 queue management functions.   |
| ANPR                    | ANPR, track, priority, snapshot Vehicle attributes: License plate, vehicle type, vehicle color<br>Other attributes: Seat belt, smoking, phoning   |
| Alarm Event             | No SD card; SD card full; SD card error; network disconnection; IP conflict; illegal access; motion detection; video tampering; tripwire; intrusion; fast moving; abandoned object; missing object; loitering detection; people gathering; parking detection; scene changing; audio detection; defocus detection; external alarm; face detection; people counting in area; stay alarm; people counting; people counting exception detection; safety exception; queue management; face & body detection; face & body detection (match attributes alarm); face & body detection (mismatch attributes alarm); face recognition |

| Feature                     | Specification   |
|-----------------------------|---|
| Video Metadata              | Supports human body, human face, motor vehicle and non-motor vehicle image capture, attributes extraction, counting targets by directions (A>B, B>A, or A< >B), and exporting the report  |
| Bit Rate                    | H.264: 32 kbps-16384 kbps ; H.265: 12 kbps-16384 kbps   |
| Protocol                    | IPv4; IPv6; HTTP; HTTPS; TCP; UDP; ARP; RTP; RTSP; RTCP; RTMP; SMTP; FTP; SFTP; DHCP; DNS; DDNS; QoS; UPnP; NTP; Multicast; ICMP; IGMP; NFS; SAMBA; PPPoE; 802.1x; SNMP; Bonjour; ONVIF (Profile S/Profile G/Profile T); CGI; Milestone; Genetec; InstaOn; RTMP |
| Smart Detection             | Abandoned object, moving object   |
| Perimeter Protection        | Tripwire, intrusion, fast moving (the three functions support the classification and accurate detection of vehicle and human); parking detection, loitering detection, and people gathering.  |
| Intelligent Search          | Work together with Smart NVR to perform refine intelligent search, event extraction and merging to event videos.  |
| Ethernet                    | RJ-45 (10/100/1000 Base-T)  |
| User Account                | 20 (Total bandwidth: 160M)  |
| Interface Ports             | 1 RS-485 (baud rate range: 1200 bps-115200 bps)   |
| IR                          | IR Range of 120 Mtr., Smart IR  |
| Smart Phone                 | iPhone, iPad, Android Phone   |
| Micro SD                    | FTP; Micro SD card (256 GB); NAS; SFTP  |
| SDK and API                 | Yes   |
| OTA (Online Device Upgrade) | Support   |
| Cyber Security              | Video encryption; firmware encryption; configuration encryption; Digest; WSSE; account lock-out; security logs; IP/MAC filtering; generation and importing of X.509 certification; syslog; HTTPS; 802.1x; trusted boot; trusted execution; trusted upgrade      |
| Scene Self-adaptation       | Yes   |
| Operating Temperature       | -40°C to +60°C (-40°F to +140°F), /Less than 95% RH   |
| Storage Temperature         | -40°C to +65°C (-40°F to +149°F)  |
| Power Source                | 12V DC/24V AC/PoE+ (802.3at); ePoE , max. current 165mA   |
| Power Consumption           | 3.7W (12V DC); 5.7W(24V AC); 5.5W (PoE)<br>Heat power consumption: 3.3W (12V DC);5.5W(24V AC); 5.5W (PoE)   |
| Browser                     | IE: IE9 and later, Chrome: Chrome 42 and later, Firefox: Firefox 48.0.2 and later   |
| Weatherproof Standard       | IP67, IK10, Anti-Corrosion Protection: NEMA 4X (optional)   |
| Dimension                   | 340.1 mm × 108.5 mm × 92.9 mm (13.39" × 4.27" × 3.66") (L × W × H)  |
| Casing                      | Metal + Plastic   |
| Weight                      | 1600g   |

Dimensions (mm/inch)



**Company Name:**

CP PLUS (Aditya Infotech Ltd.)

F-28 Okhla Industrial Area, Phase 1,

New Delhi 110020, INDIA

**Contact Mail ID :-** [customercare@cpplusworld.com](mailto:customercare@cpplusworld.com)