

CP-UNC-VB21L3-MDS-V2

2 MP Full HD WDR IR Vandal Dome Camera - 30Mtr.

- 1/2.8" 2MP PS CMOS Image Sensor (0.9071 cm)
- Max. 25/30fps@2MP (1920×1080)
- Instastream and H.264+ dual-stream encoding
- WDR(120dB), Day/Night (ICR), 3D-NR, ROI, AWB, AGC, BLC, HLC
- 3.6mm fixed lens (2.8mm optional)
- IR Range of 30 Mtrs, IP67, IK10, Micro SD Card, PoE
- Support Starlight Function
- Mobile Software: iCMOB, gCMOB
- CMS Software: KVMS Pro



System Overview

This Series has gathered a lot of fame over the years for its eminent capabilities on top of its artful appearance which lets it mix in any background. This series entails a wide range of easily-mountable solutions that have been crafted with the IR Megapixel technology that delivers resolutions varying from 2MP to 8MP depending on your choice of products. This Series comes with a varifocal lens/motorized/fixed lens and is absolutely pocket-friendly, which makes it the best choice for a number of small and mid-size places

Functions

Starlight Technology

This camera is widely used to provide sharper and clearer picture quality with the help of its exceptional starlight sensitivity as the camera improves night vision in low light conditions. This technology is useful in conditions with extremely low light as the starlight technology turns almost completely dark images into those of clear colors.



CP-UNC-VB21L3-MDS-V2

2 MP Full HD WDR IR Vandal Dome Camera - 30Mtr.

Functions

Wide dynamic range (WDR)

When a scene is partly dark and partly bright, that is the dynamic range that distorts images due to this difference in the lighting. WDR technology provides you balanced lighting for a clear and vivid image throughout the day. WDR technology can be installed at entry/exit points of any building structure, jewellery shops, outdoor location among so many other places.

Smart Analytical Support

Using an advanced algorithm, smart analytical technology lets you set a multitude of safety parameters and sends you alerts when any of those parameters have been compromised. Not just when there's an occurrence of tripwire or intrusion, but also in the cases of missing or abandoned objects.

OTA (Over the Air) Upgrade - Online Upgrade

OTA update is the online, wireless upgrade function to enable devices to download patches/new updates with a simple click to upgrade internet-connected devices with the latest version. This function helps users to upgrade devices from anywhere and saves the time of moving to the site physically for the upgrade, making the whole process easier for everyone involved.

About CP PLUS

The brand that is on its way to lead the world when it comes to the security and surveillance industry, CP PLUS, keeps bombarding the market with the most reliable range of products that have been designed carefully and methodically to automate the whole surveillance and security process, no matter how big your premises are.

It was the initiative to help the public in the area where they are the most vulnerable and to empower the sense of safety in our hearts that had conceptualized CP PLUS. And embarking on its mission to make the world a safer and more secure place has taken the brand's journey to unprecedented levels even when compared to international competitors.

Health Monitoring System (HMS)

The Health Monitoring System by CP PLUS provides a real-time health status of your surveillance devices as it enables instant reporting of live incidents and reduces system downtime since issues are detected and rectified at the onset and provides daily system support as well as live status web page view.

Live Viewing

Unlike some, this technology enables you to record the picture feed but view it live as well at your convenience. On top of that, the advantages of high-resolution video recording are numerous.

KVMS Pro

The KVMS Pro is a hybrid security management software that allows the management of various surveillance devices such as cameras, DVRs/ NVRs, encoders/ decoders, etc. It is released with the surveillance hardware and exclusively supports CP PLUS devices.



CP-UNC-VB21L3-MDS-V2

2 MP Full HD WDR IR Vandal Dome Camera - 30Mtr.

Feature	Specification
Image Sensor	1/2.8" 2MP Progressive scan CMOS (0.9071 cm)
Minimum Illumination	0.002Lux@F1.6
Effective Pixels	1920(H) x 1080(V)
Shutter Speed	Auto/Manual 1/3 s–1/100000 s
White Balance	Auto/natural/street lamp/outdoor/manual/regional custom
S/N Ratio	>56dB
RAM & ROM	128MB & 128MB
Lens	3.6mm fixed lens (2.8mm optional)
Mount Type	M12
Max. Aperture	F1.6
Iris Type	Fixed
Close Focus Distance	3.6mm: 1.2m , 2.8mm: 0.6m
Gain Control (AGC)	Auto/Manual
Video Compression	Instastream/H.265/H.264+/H.264B/ MJPEG (only supported by the sub stream)
Angle of View	3.6mm- H: 87.0° V: 46.0° D: 104.0°, 2.8mm- H: 106.0° V: 56.0° D: 126.0°
Back Light Compensation	BLC / HLC / WDR(120dB)
Video Streaming	Main stream: 1920 × 1080 (1 fps-25/30 fps) Sub stream: 704 × 576 (1 fps-25fps) 704 × 480 (1 fps-30fps)
Resolution	1080P(1920×1080)/ 1.3MP(1280×960)/ 720P(1280×720)/ D1(704×576/704×480)/ VGA(640×480)/ CIF(352×288/352×240)
DORI Distance	3.6mm: 55.2m (Detect) 22.1m (Observe) 11m (Recognize) 5.5m (Identify) 2.8mm: 38.6m (Detect) 15.4m (Observe) 7.7m (Recognize) 3.9m (Identify)
Motion detection	OFF/ON (4 areas, rectangular)
Privacy Mask	4 Areas

Feature	Specification
ICR	Auto (ICR)/Color/B/W
ROI	Yes (4 areas)
Bit Rate	H.265: 12 kbps–6144 kbps, H.264: 32 kbps–6144 kbps
Protocol	IPv4; IPv6; HTTP; TCP; UDP; ARP; RTP ; RTSP; RTCP; RTMP; SMTP; FTP; SFTP; DHCP; DNS; DDNS; QoS; UPnP; NTP; Multicast; ICMP; IGMP; NFS; PPPoE; Bonjour, ONVIF (Profile S/Profile G/Profile T); CGI; InstaOn; Milestone; Genetec
Smart Detection	Tripwire, Intrusion
OTA (Online Device Upgrade)	Support
Cloud Health Monitoring System (HMS)	Support
SDK and API	Yes
Cyber Security	Video encryption; firmware encryption; configuration encryption; Digest; WSSE; account lock-out; security logs; IP/MAC filtering; generation and importing of X.509 certification; syslog; HTTPS; 802.1x; trusted boot; trusted execution; trusted upgrade
Ethernet	RJ-45 (10/100Base-T)
Alarm Event	No SD card; SD card full; SD card error; network disconnection; IP conflict; motion detection; video tampering; tripwire; intrusion; illegal access; voltage detection; safety exception
User/Host	20 Users
IR	IR Range of 30 Mtr. ,Smart IR
Smart Phone	iPhone, iPad, Android Phone
Micro SD	FTP; Micro SD card (256GB); NAS; SFTP
Storage Temperature	-40°C to +60°C (-40°F to +140°F)
Operating Temperature	-40°C to +60°C (-40°F to +140°F)
Humidity	≤95%
Power Source	DC12V, PoE (802.3af)
Power Consumption	<5.4W

THINK SECURITY
THINK CP PLUS

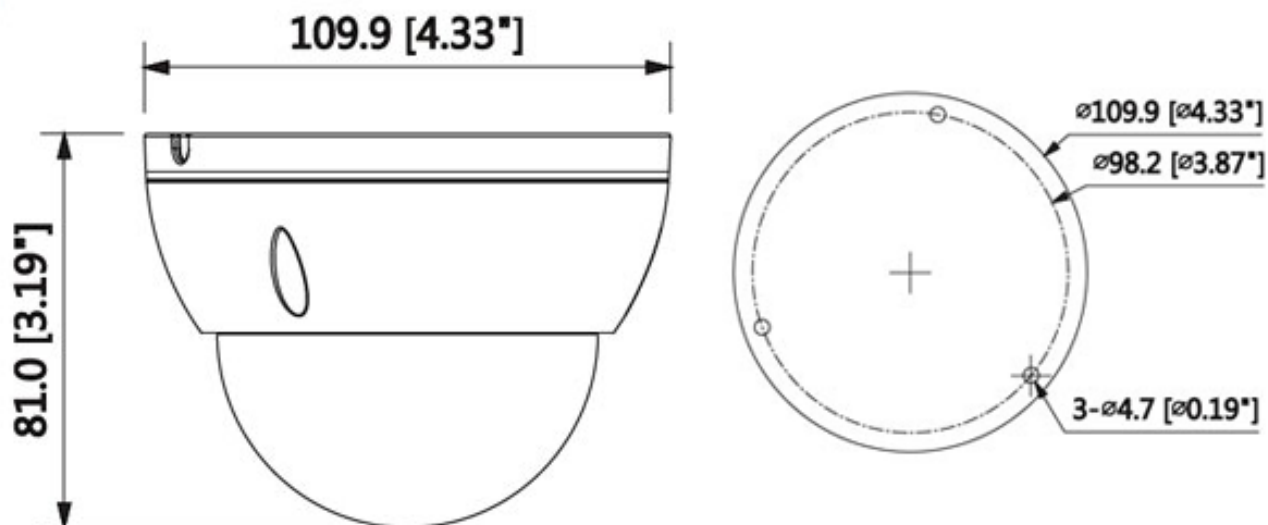


Feature	Specification
Weatherproof Standard	IP67 & IK10
Casing	Metal
Dimension	81 mm × Φ109.9 mm (3.2" × Φ4.3")
Weight	0.35Kg



**Product casing and specifications are subject to change without prior notice*

Dimensions (mm/inch)



Company Name:

CP PLUS (Aditya Infotech Ltd.)
F-28 Okhla Industrial Area, Phase 1,
New Delhi 110020, INDIA

Contact Mail ID :- customercare@cpplusworld.com