

# CP-UNC-VC81ZL4-VMDS

## 8MP WDR IR Network Vandal Dome Camera - 40Mtr.

- 1/2.8" 8Megapixel PS CMOS Image Sensor (0.9071 centimeters)
- Smart H.265+/ H.265/ Smart H.264+/H.264 triple-stream encoding
- Max. Outputs max. 8MP (3840 × 2160)@20fps (AI function enabled by default) and supports 8MP (3840 × 2160)@25/30fps (when AI function disabled)
- WDR(120dB), Day/Night (ICR), 3D-DNR, ROI, AWB, AGC, BLC, HLC
- IR Range of 40 Mtrs.
- 2.7mm–13.5mm Motorized lens
- Support Starlight Technology
- SMD Plus
- Support Micro SD Card, IP67, IK10, PoE
- Mobile Software: iCMOB, gCMOB
- CMS Software: KVMS Pro



### System Overview

Understanding the need of the hour in the security and surveillance industry, this series has been integrated with the starlight technology along with efficient and powerful deep-learning algorithms to make your life hugely easier. The numerous AI-based smart functions of this camera let you capture a face, protect the perimeter and even count people, greatly improving the accuracy of your video analysis. This camera also complies with international certification standards such as IP67 and IK10, as this camera is not just dust-proof and water-proof but also shock-proof and vandal-proof (which is given in selected models).

### Functions

#### Starlight Technology

This camera is widely used to provide sharper and clearer picture quality with the help of its exceptional starlight sensitivity as the camera improves night vision in low light conditions. This technology is useful in conditions with extremely low light as the starlight technology turns almost completely dark images into those of clear colors.



## CP-UNC-VC81ZL4-VMDS

8MP WDR IR Network Vandal Dome Camera - 40Mtr.

### Functions

#### Wide Dynamic Range (WDR)

When a scene is partly dark and partly bright, that is the dynamic range that distorts images due to this difference in the lighting. WDR technology provides you balanced lighting for a clear and vivid image throughout the day. WDR technology can be installed at entry/exit points of any building structure, jewellery shops, outdoor location among so many other places.

#### Smart Motion Detection (SMD Plus)

CPPLUS has introduced Smart Motion Detection, AI-based SMD, which use an advanced algorithm to differentiate human and vehicular shapes within a scene and send alarms only when a person or vehicle is detected.

#### Smart Analytical Support

Using an advanced algorithm, smart analytical technology lets you set a multitude of safety parameters and sends you alerts when any of those parameters have been compromised. Not just when there's an occurrence of tripwire or intrusion, but also in the cases of missing or abandoned objects.

#### True Day/Night (ICR)

When the scene is too dark, the image is captured by illuminating an infrared light through the camera onto the scene that greatly helps with making the scene visible for the lens. It delivers color images during the day and automatically switches to the monochrome feature as the scene darkens.

#### Regions of Interest

Regions of Interest (ROI) is a user defined feature that allows the operator to monitor specific areas of a scene while still maintaining overall situational awareness of less important areas.

#### gCMOB/ iCMOB

Designed to allow users to access and control live streaming from CP PLUS IP Cameras, DVRs/ NVRs and Video Door Phones, the CP PLUS gCMOB/ iCMOB application offers a host of features such as Easy GUI, up to 16 live viewing split-ups; InstaOn cloud support; Playback; digital zoom ins; two-way talk, and more.

### About CP PLUS

The brand that is on its way to lead the world when it comes to the security and surveillance industry, CP PLUS, keeps bombarding the market with the most reliable range of products that have been designed carefully and methodically to automate the whole surveillance and security process, no matter how big your premises are.

It was the initiative to help the public in the area where they are the most vulnerable and to empower the sense of safety in our hearts that had conceptualized CP PLUS. And embarking on its mission to make the world a safer and more secure place has taken the brand's journey to unprecedented levels even when compared to international competitors.



# CP-UNC-VC81ZL4-VMDS

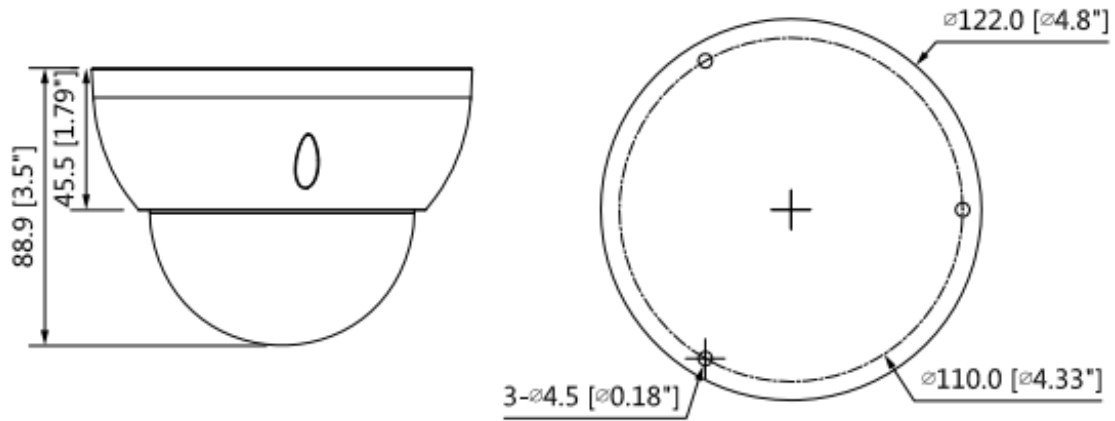
8MP WDR IR Network Vandal Dome Camera - 40Mtr.

Feature	Specification
Image Sensor	1/2.8" 8Megapixel progressive CMOS (0.9071 centimeters)
Minimum Illumination	0.007 Lux@F1.5 (Color, 30IRE) 0.0007 Lux@F1.5 (B/W, 30IRE) 0 Lux (IR on)
RAM/ROM	512MB/128MB
S/N Ratio	>56dB
Effective Pixels	3840 (H) × 2160 (V)
Shutter Speed	Auto/Manual, 1/3 s–1/100,000 s
White Balance	Auto/natural/street lamp/outdoor/manual/regional custom
Lens	2.7 mm-13.5mm
Lens Type	Motorized
Mount Type	Φ14
Max. Aperture	F1.5
Iris Type	Fixed
Close Focus Distance	0.8 m (2.6 ft)
DORI Distance	W– 85.3m (Detect) 34.1m (Observe) 17.0m (Recognize) 8.5m (Identify) T– 280.0m (Detect) 112.0m (Observe) 56.0m (Recognize) 28.0m (Identify)
Gain Control (AGC)	Auto/Manual
Back Light Compensation	BLC / HLC / WDR(120dB)
Angle of View	Horizontal: 113°–31° Vertical: 58°–17° Diagonal: 138°–36°
Video Compression	Smart H.265+, Smart H.264+, H.265, H.264, H.264B, H.264H, MJPEG (sub stream)
Video Streaming	Main stream: 3840 × 2160 @(1–20 fps by default) 3840 × 2160 @(1–25/30 fps when AI function disabled) sub stream: 704 × 576 @(1–25 fps)/704 × 480 @ (1–30 fps) third stream: 1920 × 1080 @(1–25/30 fps)
Resolution	8M (3840 × 2160); 6M (3072 × 2048); 5M (3072 × 1728/2592 × 1944); 4M (2688 × 1520); 3M (2048 × 1536/2304 × 1296); 1080p (1920 × 1080); 1.3M (1280 × 960); 720p (1280 × 720); D1 (704 × 576/704 × 480); VGA (640 × 480); CIF (352 × 288/352 × 240)
Motion detection	Off/On (4 areas, Rectangular)

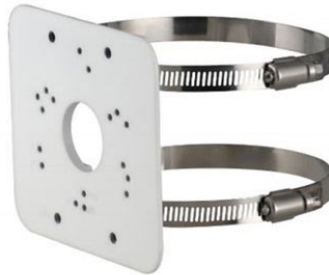
Feature	Specification
Privacy Mask	4 areas
ICR	Auto (ICR)/Color/B/W
ROI	Yes (4 areas)
Audio Compression	G.711a, G.711Mu, G.726
Audio Input	1 channel (RCA port)
Audio Output	1 channel (RCA port)
Perimeter Protection	Tripwire; intrusion (support the classification and accurate detection of vehicle and human).
Mirror	Yes
Alarm IN	1 channel in: 5mA 3V–5V DC
Alarm Out	1 channel out: 300mA 12V DC
Alarm Event	No SD card; SD card full; SD card error; service life warning (only supported by CP Plus card); network disconnection; IP conflict; illegal access; motion detection; video tampering; intrusion; tripwire; scene changing; audio detection; voltage detection; defocus detection; external alarm; SMD; safety exception
Bit Rate	H.264: 3 kbps–8192 kbps ; H.265: 3 kbps–8192 kbps
Scene Self-adaptation (SSA)	Yes
Intelligent Search	Work together with Smart NVR to perform refine intelligent search, event extraction and merging to event videos.
Protocol	IPv4; IPv6; HTTP; TCP; UDP; ARP; RTP; RTSP; RTCP; RTMP; SMTP; FTP; SFTP; DHCP; DNS; DDNS; QoS; UPnP; NTP; Multicast; ICMP; IGMP; NFS; SAMBA; PPPoE; SNMP; ONVIF (Profile S/Profile G/Profile T); CGI; P2P; Milestone; Genetec
SDK and API	Yes
Cyber Security	Video encryption; firmware encryption; configuration encryption; Digest; WSSE; account lock-out; security logs; IP/MAC filtering; generation and importing of X.509 certification; syslog; HTTPS; 802.1x; trusted boot; trusted execution; trusted upgrade
Ethernet	RJ-45 (10/100Base-T)
User/Host	20 (Total bandwidth: 72M.)
IR	IR Range of 40 Mtr., Smart IR

Feature	Specification
No of IR LEDs	2
Browser	IE: IE8; IE9; IE11, Chrome, Firefox
Smart Phone	iPhone, iPad, Android Phone
Micro SD	FTP; Micro SD card (256GB); NAS; SFTP
Operating Temperature	-30°C to +60°C (-22°F to +140°F)/Less than 95% RH
Storage Temperature	-40° C to +60° C (-40° F to +140° F)
Power Source	12V DC/PoE (802.3af)
Power Consumption	Basic power consumption: 2.7W (12V DC); 3.3W (PoE) Max. power consumption (WDR + H.265 + IR LED intensity): 6.8W (12V DC); 8.2W (PoE)
Weatherproof Standard	IP67, IK10
Dimension	88.9 mm × Φ122 mm (3.5" × Φ4.8")
Casing	Metal
Weight	492g

Dimensions (mm/inch)



Accessories : Optional



CP-UA-B2P

Pole Mount