

CP-UNC-VG41ZL4-VMDF

4MP AI IR Network Vandal Dome Camera

- 1/1.8" 4MP PS CMOS Image Sensor (1.411 cm)
- Max. outputs 4MP(2688x1520)@50fps/60fps
- Instastream/H.265/Smart H.264+/H.264 coding
- Five streams for three-channel HD video
- WDR(140dB), Day/Night (ICR), 3D-DNR, EIS, Defog, ROI, AWB, AGC, BLC, HLC
- 2.7-12mm motorized lens
- IR Range of 40 Mtrs, IP67, IK10, Micro SD Card, ePoE, PoE+
- With deep learning algorithm, it supports people counting, face recognition, perimeter protection etc
- Mobile Software: iCMOB, gCMOB
- CMS Software: KVMS Pro



System Overview

Understanding the need of the hour in the security and surveillance industry, this series has been integrated with the starlight technology along with efficient and powerful deep-learning algorithms to make your life hugely easier. The numerous AI-based smart functions of this camera let you capture a face, protect the perimeter and even count people, greatly improving the accuracy of your video analysis. This camera also complies with international certification standards such as IP67 and IK10, as this camera is not just dust-proof and water-proof but also shock-proof and vandal-proof (which is given in selected models).

Functions

Face Recognition

This technology can be used to extract faces from a range of cameras and is capable of processing large quantities of faces in real-time or post-event and can provide alerts to help with access and authentication, border security, and crowd control.



CP-UNC-VG41ZL4-VMDF

4MP AI IR Network Vandal Dome Camera

Functions

Smart Analytical Support

Using an advanced algorithm, smart analytical technology lets you set a multitude of safety parameters and sends you alerts when any of those parameters have been compromised. Not just when there's an occurrence of tripwire or intrusion, but also in the cases of missing or abandoned objects.

Wide Dynamic Range (WDR)

When a scene is partly dark and partly bright, that is the dynamic range that distorts images due to this difference in the lighting. WDR technology provides you balanced lighting for a clear and vivid image throughout the day. WDR technology can be installed at entry/exit points of any building structure, jewellery shops, outdoor location among so many other places.

Instastream

This camera has been designed with the latest and most efficient innovation among the standard video compression designs. Smart encoding algorithms developed by CP PLUS help in saving up to 70% more bandwidth than H.265 along with making it more beneficial for minimizing bandwidth and storage costs. It enhances video coding efficiency while providing high resolution and the rate of frame in the video using Intelligent Region Perception to detect motion in each frame.

IK10 Technology

This product has been inculcated with the IK10 vandal resistance technology which is the topmost mechanical protection in the surveillance industry. This technology enables your camera in developing a strong and robust appearance that can't be defeated by water, dust or even severe shocks as the powerful housing of this camera deters any damage from occurring.

gCMOB/ iCMOB

Designed to allow users to access and control live streaming from CP PLUS IP Cameras, DVRs/ NVRs and Video Door Phones, the CP PLUS gCMOB/ iCMOB application offers a host of features such as Easy GUI, up to 16 live viewing split-ups; InstaOn cloud support; Playback; digital zoom ins; two-way talk, and more.

KVMS Pro

The KVMS Pro is a hybrid security management software that allows the management of various surveillance devices such as cameras, DVRs/ NVRs, encoders/ decoders, etc. It is released with the surveillance hardware and exclusively supports CP PLUS devices.

About CP PLUS

The brand that is on its way to lead the world when it comes to the security and surveillance industry, CP PLUS, keeps bombarding the market with the most reliable range of products that have been designed carefully and methodically to automate the whole surveillance and security process, no matter how big your premises are.

It was the initiative to help the public in the area where they are the most vulnerable and to empower the sense of safety in our hearts that had conceptualized CP PLUS. And embarking on its mission to make the world a safer and more secure place has taken the brand's journey to unprecedented levels even when compared to international competitors.



CP-UNC-VG41ZL4-VMDF

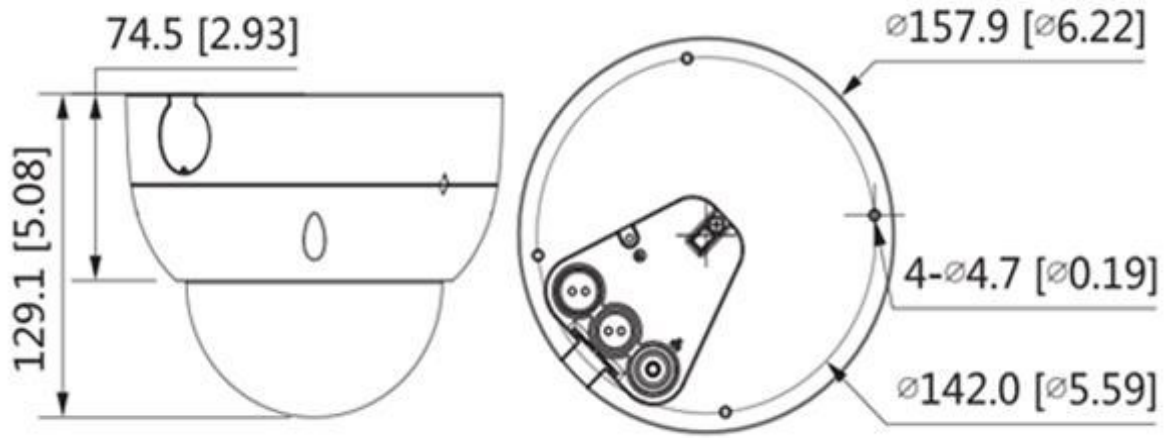
4MP AI IR Network Vandal Dome Camera

Feature	Specification
Image Sensor	1/1.8" 4Megapixel progressive CMOS (1.411 cm)
Effective Pixels	2688 (H) × 1520 (V)
Minimum Illumination	0.001 Lux@F1.2 (Color, 30IRE) 0.0002 Lux@F1.2 (B/W, 30IRE) 0 Lux (IR on)
Shutter Speed	Auto/Manual, 1/3~1/100000s
White Balance	Auto/natural/street lamp/outdoor/manual/regional custom
Lens	2.7~12 mm motorized Lens
Gain Control (AGC)	Auto/Manual
S/N Ratio	>56dB
Bit Rate Control	CBR/VBR
Iris Type	Auto; Precise iris control
Mount Type	Module interface
Close Focus Distance	W: 1m ; T: 2.5m
Max. Aperture	F1.2
Lens Type	Motorized
DORI Distance	W: 60.1m (Detect), 24m (Observe), 12m (Recognize), 6m (Identify) T: 128.6m (Detect), 51.4m (Observe), 25.7m (Recognize), 12.8m (Identify)
Angle of View	Horizontal: 114°(W)–47°(T) Vertical: 59°(W)–27°(T) Diagonal: 141° (W–55°(T))
Video Compression	H.265, Smart H.264+, H.264, H.264H, H.264B, MJPEG (only supported by sub stream)
Encode Strategy	Instastream
Back Light Compensation	BLC/ HLC/ WDR(140dB)
Video Streaming	Main Stream: 2688 × 1520 (1–50/60 fps) Sub stream: 704 × 576 (1–25fps);704 × 480 (1–30fps) Third stream: 1920 × 1080 (1–25/30 fps) Fourth stream: 1920 × 1080 (1–25/30 fps) Fifth stream: 704 × 576 (1–25fps);704 × 480 (1–30fps)
Resolution	4M (2688 × 1520), 3M (2304 × 1296), 1080p (1920 × 1080), 1.3M (1280 × 960), 720p (1280 × 720), D1 (704 × 576/704 × 480), VGA (640 × 480), CIF (352 × 288/352 × 240)
Motion detection	OFF/ON (4 areas, rectangular)

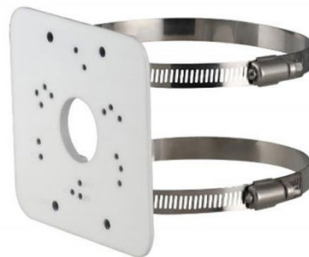
Feature	Specification
Privacy Mask	4 areas
ICR	Auto (ICR)/Color/B/W
ROI	Yes (4 areas)
Audio Input	1 Ch.
Audio Compression	G.711a; G.711Mu; G726; AAC; G.723
Audio Output	1 Ch.
Alarm IN	3 channel In: 5mA 5V DC
Alarm Out	2 channel Out: 1000mA 30V DC/500mA 50V AC
Face Recognition	Face recognition, track, priority, snapshot, face enhancement, face exposure Face attribute extract, 6 attributes and 8 expressions: Gender, age, glasses, expressions (anger, sadness, disgust, fear, surprise, calm, happiness and confusion), mask, beard. Face matting setting: face, single inch photo Two snapshot strategies: priority snapshot, recognition Face angle filter. Priority time setting. Management of 5 group face libraries Single person register and person register in batch Face recognition and similarity setting Max supports face contrast in face library with 200,000 faces Support Duration Optimal, Non-living Filtering.
People Counting	Support tripwire number counting, people counting in area, and displaying and outputting yearly/monthly/daily reports. Support queue management, and displaying and outputting monthly/daily reports. Support 4 tripwire rules configuration, people counting in 4 areas, and 4 queue management functions.
Cyber Security	Video encryption; firmware encryption; configuration encryption; Digest; WSSE; account lock-out; security logs; IP/MAC filtering; generation and importing of X.509 certification; syslog; HTTPS; 802.1x; trusted boot; trusted execution; trusted upgrade
Video Metadata	Support human body, human face, motor vehicle and non-motor vehicle image capture and attributes extraction.
Alarm Event	No SD card; SD card full; SD card error; network disconnection; IP conflict; illegal access; motion detection; video tampering; tripwire; intrusion; fast moving; abandoned object; missing object; loitering detection; people gathering; parking detection; scene changing; audio detection; defocus detection; external alarm; face detection; people counting in area; stay alarm; people counting; people counting exception detection; safety exception, Queue Management
Bit Rate	H.264: 32 Kbps–10240 Kbps ; H.265: 12 Kbps–10240 Kbps
Protocol	HTTP; HTTPS; 8021.x; TCP; ARP; RTSP; RTP; UDP; RTCP; SMTP; FTP; DHCP; DNS; DDNS; PPPoE; IPv4/v6; SNMP; QoS; UPnP; NTP; SFTP; RTMP; Genetec; Bonjour; Multicast; ONVIF (Profile S/ Profile G/Profile T); CGI; Milestone; Genetec; Instaon; RTMP
Smart Detection	Abandoned object, moving object
Perimeter Protection	Tripwire, intrusion, fast moving (the three functions support the classification and accurate detection of vehicle and human); parking detection, loitering detection, and people gathering.

Feature	Specification
Intelligent Search	Work together with Smart NVR to perform refine intelligent search, event extraction and merging to event videos.
Ethernet	RJ-45 (10/100/1000 Base-T)
User Account	20 (Total bandwidth: 80M)
Interface Ports	1 RS-485 (baud rate range: 1200 bps-115200 bps)
IR	IR Range of 40 Mtr.
Smart Phone	iPhone, iPad, Android Phone
Micro SD	FTP; Micro SD card (256 GB); NAS; SFTP
SDK and API	Yes
Scene Self-adaptation (SSA)	Yes
Operating Temperature	-40°C to +60°C (-40°F to +140°F), /Less than 95% RH
Storage Temperature	-40°C to +60°C (-40°F to +140°F)
Power Source	12V DC/24V AC/PoE+ (802.3at), ePoE, max. current 165mA
Power Consumption	Basic power consumption: 5.4W (12V DC); 5W(24V AC); 4.9W (PoE) Max. power consumption (Max. stream + intelligent function + IR LED + focus): 16.7W (12V DC);15.7W(24V AC); 15.6W (PoE) Heat power consumption: 3.3W (12V DC);5.5W(24V AC); 5.5W (PoE)
Browser	IE: IE9 and later, Chrome: Chrome 42 and later, Firefox: Firefox 48.0.2 and later
Weatherproof Standard	IP67, IK10, Anti-Corrosion Protection: NEMA 4X (optional)
Dimension	129.1 mm × Φ157.9 mm (5.08" × Φ6.22") (L × W × H)
Casing	Metal + Plastic
Weight	1500g

Dimensions (mm/inch)



Accessories : Optional



CP-UA-B2P
Pole Mount

Company Name:

CP PLUS (Aditya Infotech Ltd.)
F-28 Okhla Industrial Area, Phase 1,
New Delhi 110020, INDIA |

Contact Mail ID :- customercare@cpplusworld.com