

CP-UNP-F4541R30-DFP

4MP WDR 45x Laser Network PTZ Camera

- 1/2.8" 4MP PS CMOS Image sensor (0.9071cm)
- Max. 25/30fps@4MP
- Powerful 45x Optical zoom and 16x Digital zoom
- WDR(120dB), 2D/3D-NR, Day/Night, ROI, EIS, Electronic Defog, AGC, BLC, HLC
- Support Starlight Technology
- Up to 300 presets, 5 auto scan, 8 tour, 5 pattern
- Laser Range of 300 Mtr., SMD 4.0
- Max 240° /s pan speed, 360° endless pan rotation
- Built-in 7/2 alarm in/out, IP67, Hi-PoE
- Mobile Software: iCMOB, gCMOB
- CMS Software: KVMS Pro



System Overview

Understanding the need of the hour in the security and surveillance industry, this series has been integrated with the starlight technology along with efficient and powerful deep-learning algorithms to make your life hugely easier. The numerous AI-based smart functions of this camera let you capture a face, protect the perimeter and even count people, greatly improving the accuracy of your video analysis. This camera also complies with international certification standards such as IP67 and IK10, as this camera is not just dust-proof and water-proof but also shock-proof and vandal-proof (which is given in selected models).

Functions

Starlight Technology

This camera is widely used to provide sharper and clearer picture quality with the help of its exceptional starlight sensitivity as the camera improves night vision in low light conditions. This technology is useful in conditions with extremely low light as the starlight technology turns almost completely dark images into those of clear colors.



CP-UNP-F4541R30-DFP

4MP WDR 45x Laser Network PTZ Camera

Functions

Wide dynamic range (WDR)

When a scene is partly dark and partly bright, that is the dynamic range that distorts images due to this difference in the lighting. WDR technology provides you balanced lighting for a clear and vivid image throughout the day. WDR technology can be installed at entry/exit points of any building structure, jewellery shops, outdoor location among so many other places.

Auto-Tracking

This technology enables you to control the pan/tilt/zoom actions in your camera in varying proportions to let you automatically and continuously track an object in the scener that is in motion or is moving. This function comes with the option of automatic or manual tracking depending on the condition to make it more efficient. This is done on the basis of predefined rules. Once such a rule is triggered, the camera can take over on its own and can track the defined target automatically.

Instastream

This camera has been designed with the latest and most efficient innovation among the standard video compression designs. Smart encoding algorithms developed by CP PLUS help in saving up to 70% more bandwidth than H.265 along with making it more beneficial for minimizing bandwidth and storage costs. It enhances video coding efficiency while providing high resolution and the rate of frame in the video using Intelligent Region Perception to detect motion in each frame.

About CP PLUS

The brand that is on its way to lead the world when it comes to the security and surveillance industry, CP PLUS, keeps bombarding the market with the most reliable range of products that have been designed carefully and methodically to automate the whole surveillance and security process, no matter how big your premises are.

It was the initiative to help the public in the area where they are the most vulnerable and to empower the sense of safety in our hearts that had conceptualized CP PLUS. And embarking on its mission to make the world a safer and more secure place has taken the brand's journey to unprecedented levels even when compared to international competitors.

True Day/Night (ICR)

When the scene is too dark, the image is captured by illuminating an infrared light through the camera onto the scene that greatly helps with making the scene visible for the lens. It delivers color images during the day and automatically switches to the monochrome feature as the scene darkens.

gCMOB/ iCMOB

Designed to allow users to access and control live streaming from CP PLUS IP Cameras, DVRs/ NVRs and Video Door Phones, the CP PLUS gCMOB/ iCMOB application offers a host of features such as Easy GUI, up to 16 live viewing split-ups; InstaOn cloud support; Playback; digital zoom ins; two-way talk, and more.

KVMS Pro

The KVMS Pro is a hybrid security management software that allows the management of various surveillance devices such as cameras, DVRs/ NVRs, encoders/ decoders, etc. It is released with the surveillance hardware and exclusively supports CP PLUS devices.



CP-UNP-F4541R30-DFP

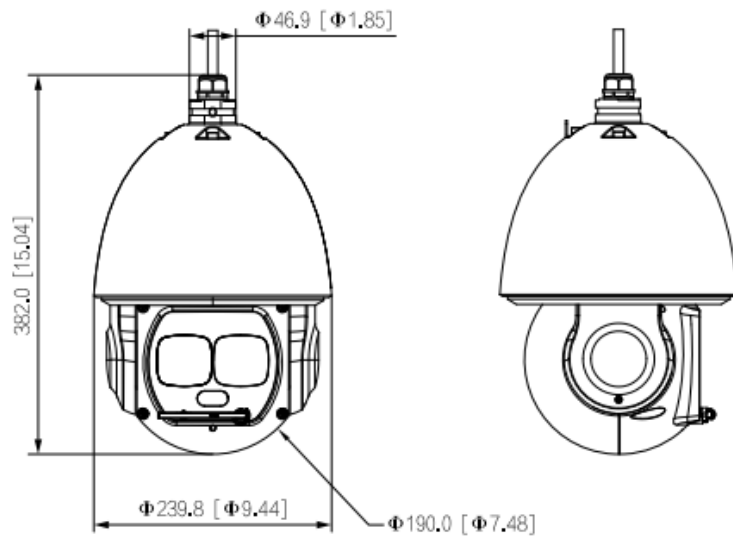
4MP WDR 45x Laser Network PTZ Camera

Feature	Specification
Image Sensor	1/2.8" PS CMOS Image Sensor (0.9071cm)
Minimum Illumination	Color: 0.005 lux@F1.6, B/W: 0.0005 lux@F1.6, 0 lux (laser light on)
Effective Pixels	2560 (H) × 1440 (V), 4MP
RAM & ROM	1GB & 4GB
AGC control	Auto / Manual
S/N Ratio	≥ 55dB
Focal Length	3.95mm - 177.75mm
White Balance	Auto; indoor; outdoor; tracking; manual; sodium lamp; natural light; street lamp
Focus Control	Auto; semi-auto; manual
Max. Aperture	F1.6–F4.95
DORI Distance	3555m(Detect) 1404.2m(Observe) 711m(Recognize) 355.5m(Identify)
Close Focus Distance	0.1m-1m
Angle of View	H: 63.2°–1.8°; V: 37.6°–1.1°; D: 70.8°–2.1°
Electronic Shutter	1 s–1/30,000 s
Iris Control	Auto; manual; iris prio
Day/Night	Color; B/W; Auto; Electronic
Back Light Compensation	BLC / HLC / WDR(120dB)
Optical Zoom	45x
Digital Zoom	16x
Pan Travel	0°~360° endless, Pan Speed: 0.1° ~ 200°/sec
Tilt Travel	-20° ~ +90° auto flip 180°, Tilt Speed: 0.1° ~120°/sec
Manual Control Speed	Pan: 0.1°/s–200°/s; Tilt: 0.1°/s–120°/s
Presets	300
Preset Speed	Pan: 240° /s; Tilt: 200° /s
Privacy Masking	Up to 24 areas can be set, with up to 8 areas in the same view
Special Features	Up to 300 Presets, 5 Pattern, 8 Tour (up to 32 presets per tour), 5 Auto Scan

Feature	Specification
IR Range	Laser Range of 250Mtr.
IR Number	7
IR On/Off Control	Zoom Prio; Manual; Auto; Off
Idle Motion	Pattern; Preset; Scan; Tour
Video Compression	H.265; H.264H; H.264B; Smart H.264+; H.264; MJPEG (Sub Stream)
Encode Strategy	Instastream
Stream	Triple Stream
Video Streaming	Main stream: 4M/3M/1080p/1.3M/720p (1–25/30 fps) Sub stream 1: D1/VGA/CIF (1–25/30 fps) Sub stream 2: 1080p/1.3M/720p (1–25/30 fps)
Audio Compression	PCM; G.711a; G.711Mu; G.726; MPEG2-Layer2; G722.1; G729; G723
Motion Detection	Support
ROI	Support
RS-485	1 (baud rate: 1200 bps–115200 bps)
Audio Streaming	1/1 channel In/Out
Alarm I/O	7/2 channel In/Out
Alarm Linkage	Capture; recording; send email; preset; tour; pattern; alarm digital output
Auto Tracking	Support
IVS (Perimeter Protection)	Tripwire; intrusion; crossing fence detection; loitering detection; abandoned/missing object; fast moving; parking detection; people gathering; human alarm classification; linkage tracking
Streaming Method	Unicast / Multicast
Intelligence	Support
SMD 4.0	Support
Face Detection	Supports face detection, optimization, capturing pictures, uploading high-quality face snapshots and enhancing face images. Attribute Extraction is also supported, where 6 attributes and 8 expressions can be detected. Face cutout is also offered, where you can cutout one face at a time and customize the size to be a one-inch photo. The supported methods for capturing snapshots are real-time capturing, quality first, and selecting a preferred image among a group of snapshots
Alarm Event	Motion/tampering detection; audio detection; network disconnection detection; IP conflict detection; memory card state detection; memory space detection

Feature	Specification
Networking	1×RJ-45 (10/100 Base-T)
Protocols	FTP; RTMP; IPv6; Bonjour; IPv4; DNS; RTCP; PPPoE; NTP; RTP; 802.1x; HTTPS; SNMP; TCP/IP; DDNS; UPnP; NFS; ICMP; UDP; IGMP; HTTP; SSL; DHCP; SMTP; Qos; RTSP; ARP; CGI; SDK; ONVIF (Profile S&G&T)
Browser	IE 9 and later versions Chrome 41 and later versions Firefox 52 and later versions Safari 10 and later versions
Operating Temperature	-40°C ~ 70°C (-40°F ~ +158°F)
Operating Humidity	≤ 95%
Smart Phone	iPhone, iPad, Android Phone
Memory Card	Micro SD card (512 GB)
Storage	FTP/SFTP; NAS
Weather Proof Standard	IP67; TVS 6000 V lightning proof; surge protection; voltage transient protection
Dimension	382 mm × Φ239.8 mm (15.04" × Φ9.44")
Power Source	36V DC, 2.23 A ± 25%; Hi-PoE
Power Consumption	Basic: 13 W ; Max: 27 W (IR + PTZ)
Weight	6.8 kg

Dimensions (mm/inch)



Accessories : Optional



CP-UA-B3P
Pole Mount

Company Name:

CP PLUS (Aditya Infotech Ltd.)
F-28 Okhla Industrial Area, Phase 1,
New Delhi 110020, INDIA

Contact Mail ID :- customercare@cpplusworld.com