

CP-USC-TA24L8C

2.4 MP Cosmic IR Bullet Camera - 80Mtr.

- 1/2.7" 2.4MP CMOS Image Sensor
- Max 25/30fps@2.4MP
- DWDR, Day/Night (ICR), 2D-DNR, AWB, AGC, BLC, HLC
- 3.6mm fixed lens (2.8mm,6mm optional)
- IR Range of 80Mtrs., Built-in Mic, IP67
- OSD Menu, control over coaxial cable, 2D-DNR
- HD, SD and Two Analog format Output switchable



System Overview

Analog cameras can be advantageous in more ways than one – they are economical, especially for large scale setups, and are simple to install. However, one of the major downsides of earlier analog cameras was the image quality, which is critical in the present times. With subsequent technological upgrades over the years, HD resolution was introduced in analog CCTV systems. This served as a major breakthrough as high quality imagery was only available in IP system which was comparatively a costlier option.

Another challenge with analog systems was its compatibility constraint. Newer versions of analog cameras would not pair up with older versions. CP PLUS introduced the revolutionary UNI + technology which supported all analog & HD video formats including CVBS.



CP-USC-TA24L8C

2.4 MP Cosmic IR Bullet Camera - 80Mtr.

Functions

OSD Menu support

CP PLUS HD analog cameras come with their own menu using which the camera settings can be managed, for instance, the signal type can be changed and other sensor level adjustments be made.

IR LED

Numerous IR LEDs provide detailed images even in very low light conditions. These LEDs adjust the infrared intensity for distinct images in dark environments for up to 80mtrs.

UNI+ technology

CP PLUS Analog HD cameras offer compatibility across all the available technologies - CVBS, TVI, HDCVI, AHD and HDx, making upgrading simple and hassle-free.

Power protection

With a voltage tolerance range of ± 30 , these cameras are suitable even in fluctuating power conditions.

Plug & Play

CP PLUS Analog HD cameras are simple to configure and install.

About CP PLUS

The brand that is on its way to lead the world when it comes to the security and surveillance industry, CP PLUS, keeps bombarding the market with the most reliable range of products that have been designed carefully and methodically to automate the whole surveillance and security process, no matter how big your premises are.

It was the initiative to help the public in the area where they are the most vulnerable and to empower the sense of safety in our hearts that had conceptualized CP PLUS. And embarking on its mission to make the world a safer and more secure place has taken the brand's journey to unprecedented levels even when compared to international competitors.

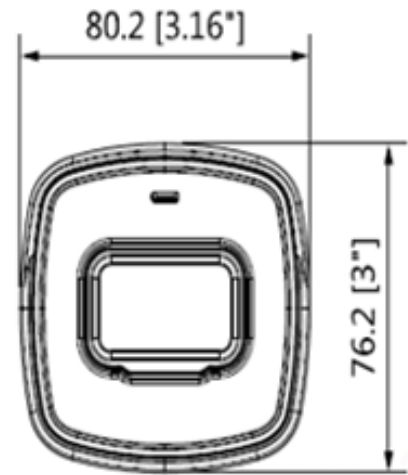
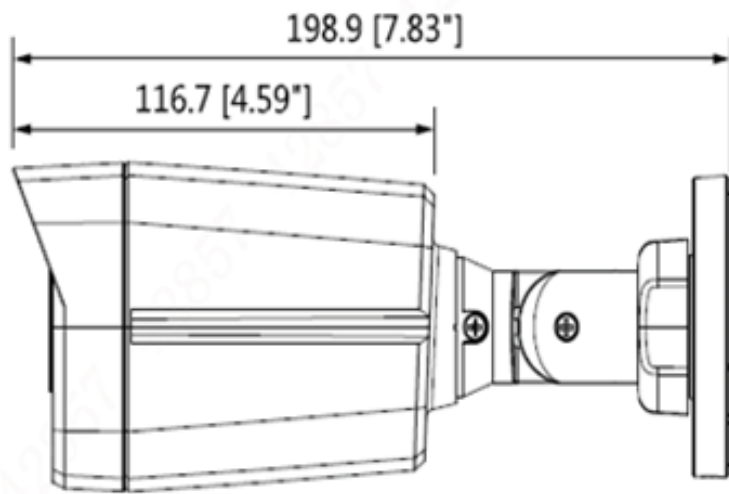


CP-USC-TA24L8C

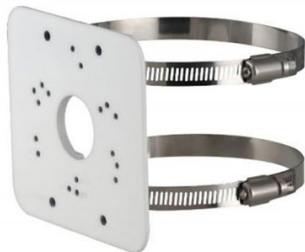
2.4 MP Cosmic IR Bullet Camera - 80Mtr.

Feature	Specification
Image Sensor	1/2.7" 2.4 PS CMOS
Minimum Illumination	0.02Lux/F1.85, 30IRE, 0Lux IR on
Shutter Speed	PAL: 1/25~1/100000s ; NTSC: 1/30~1/100000s
Lens	3.6mm (2.8mm, 6mm optional)
Lens Type	Fixed lens/ Fixed Iris
Mount Type	Board-in
Max. Aperture	F1.85
Angle of View	H: 87.5° (103°, 54.7°)
Close Focus Distance	500mm (900mm, 2000mm); 19.69" (35.43", 78.74")
DORI Distance	Detect: 2.8mm: 37m; 3.6mm: 53m, 6mm: 80m, Observe: 2.8mm: 15m; 3.6mm: 21m, 6mm: 32m, Recognize: 2.8mm: 8m; 3.6mm: 11m, 6mm: 16m, Identify: 2.8mm: 4m; 3.6mm: 5m, 6mm: 8m
Back Light Compensation	BLC/HLC/DWDR
Whit Balance	Auto/ Manual
Video Streaming	2.4MP@25/30fps, 25/30/50/60fps@720P
Video Output	1-channel BNC high definition video output/ CVBS video output (Can switch)
ICR	Auto (ICR)/Manual
IR	IR Range of 80Mtr.
Audio	Built-in Mic
OSD Menu	Multi-language
Weatherproof Standard	IP67
Casing	Aluminium (Front face) + Plastic (Body)
Operating Temperature	-40°C ~ +60°C (-40°F ~ +140°F) / Less than 95% RH
Power Source	12V DC ±30%
Power Consumption	Max 3.0W (12V DC, IR on)
Dimension	80.2mm×76.2mm×198.9mm (3.16"×3"×7.83")
Weight	0.23Kg.

Dimensions (mm/inch)



Accessories : Optional



CP-UA-B2P
Pole Mount



CP-UA-J80
Junction Box