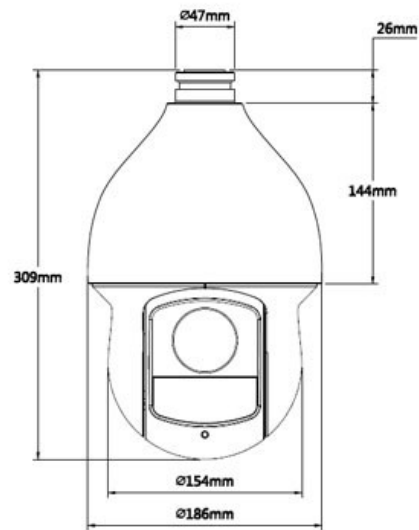


CP- USP-E2520L15-D**2MP 25x Cosmic IR PTZ Camera - 150 Mtr.****Main Features**

- 1/2.8" 2MP CMOS Image sensor
- Max. 25/30fps@1080P, 25/30/50/60fps@720P
- Powerful 25x Optical and 16x Digital zoom
- WDR(120dB), 3D-DNR, AGC, AWB, BLC, HLC
- Up to 300 Presets, auto scan, auto pan, 8 tour, 5 pattern
- IR Range of 150 Mtr.
- Max 400°/s pan speed, 360° endless pan rotation
- Built-in 2/1 alarm in/out, IP66



CP- USP-E2520L15-D

2MP 25x Cosmic IR PTZ Camera - 150 Mtr.



Feature

Image Sensor
Effective Pixels
Video Output
S/N Ratio
Minimum Illumination
Focal Length
White Balance
Focus Control
Angle of View
Close Focus Distance
Electronic Shutter
AGC control
Back Light Compensation
Optical Zoom
Digital Zoom
Pan Travel
Tilt Travel
Presets
Preset Speed
Privacy Masking
Special Features
Power up Action
Idle Motion
Day/Night: IR Cut Filter
Video Streaming
Audio Streaming
Networking
Alarm
Operating Temperature
Weather Proof Standard
Dimension

Specification

1/2.8" PS CMOS
1920(H) x 1080(V), 2MP
1-channel BNC/ CVBS standard definition video output (Can switch)
More than 55dB
Color: 0.005Lux@F1.6; 0Lux@F1.6 (IR on)
4.8mm~120mm
Auto, ATW, Indoor, Outdoor, Manual
Auto / Manual
H: 59.2° ~ 2.4°
100mm~ 1000mm
PAL: 1/3s~1/30,000s , NTSC: 1/4s~1/30,000s
Auto / Manual
BLC / HLC / WDR(120dB)
25x
16x
0°~360° endless, Pan Speed: 0.1° ~ 300°/sec
-15° ~ 90° auto flip 180°, Tilt Speed: 0.1° ~200°/sec
300
Pan: 400° /s; Tilt: 300° /s
Up to 24 areas
IR Range upto 150m, Up to 300 Presets, 8 Tour, 5 Pattern, Auto scan, Auto Pan
Auto restore to previous PTZ and lens status after power failure
Activate Preset/ Pan/ Scan/ Tour/ Pattern if there is no command in the specified period
Auto (ICR) / Color / B/W
25/30fps@1080P, 25/30/50/60fps@720P
1 channel In
1 RS485
2/1 channel In/Out
-40°C ~ 70°C / Less than 90% RH
IP66
Ø186.0(mm) x 309(mm)

 **CP- USP-E2520L15-D****2MP 25x Cosmic IR PTZ Camera - 150 Mtr.****Feature**

Weight

Power Source

Power Consumption

Specification

3.5kg

AC24V/3A ($\pm 10\%$)

13W,23W (IR on)