

# CP-WNC-T6201-T

## 2MP Network Fever Detection Bullet Camera

- 1/2.8" 2MP PS CMOS Image Sensor
- 2MP(1920x1080p)@25/30fps
- H.264 Video Streaming
- Fever detection : 30°C ~ 40°C
- True Day/Night (ICR), Digital Image Stabilizer (DIS), Defog, 3D-DNR, AWB, AGC, BLC, HLC
- Max 2 x ROI area setting for fever detection
- 3.6mm Lens
- IP66, PoE
- Max 6 streams connection simultaneously (3 users based on NVR)
- Mobile Software: Android, iOS



### System Overview

This solution has been purposefully designed for screening body temperatures and to detect those with fever or abnormal temperatures. As a result of that innovation, the entire screening process has become much more effective where a greater amount of people is able to get screened and detected in a shorter time.

### Functions

#### H.264 Video Compression

The most reliable video compression design, which is H.264, has been provided in this product. This technology is beneficial for minimizing storage costs as well as enabling you to save on resolution and the rate of frame in the video with the help of Intelligent Region Perception to detect motion in each frame



## CP-WNC-T6201-T

### 2MP Network Fever Detection Bullet Camera

#### Functions

##### True Day/Night (ICR)

When the scene is too dark, the image is captured by illuminating an infrared light through the camera onto the scene that greatly helps with making the scene visible for the lens. It delivers color images during the day and automatically switches to the monochrome feature as the scene darkens.

##### Regions of Interest

Regions of Interest (ROI) is a user defined feature that allows the operator to monitor specific areas of a scene while still maintaining overall situational awareness of less important areas.

##### Power over Ethernet

This product uses the latest PoE technology to troubleshoot the occurrence of any issues in the system making it easier to use. With the help of this technology, your camera now only consumes energy directly from the power supply and doesn't require any mid-way switches.

##### ONVIF

ONVIF is a global and open industry forum with the goal of facilitating the development and use of a global open standard for the interface of physical IP-based security products. ONVIF creates a standard for how IP products within video surveillance and other physical security areas can communicate with each other.

#### About CP PLUS

The brand that is on its way to lead the world when it comes to the security and surveillance industry, CP PLUS, keeps bombarding the market with the most reliable range of products that have been designed carefully and methodically to automate the whole surveillance and security process, no matter how big your premises are.

It was the initiative to help the public in the area where they are the most vulnerable and to empower the sense of safety in our hearts that had conceptualized CP PLUS. And embarking on its mission to make the world a safer and more secure place has taken the brand's journey to unprecedented levels even when compared to international competitors.



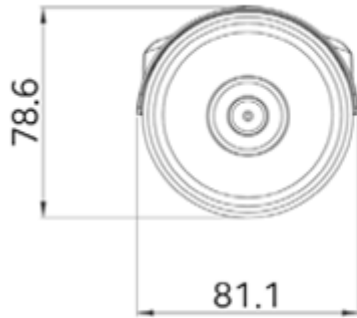
# CP-WNC-T6201-T

## 2MP Network Fever Detection Bullet Camera

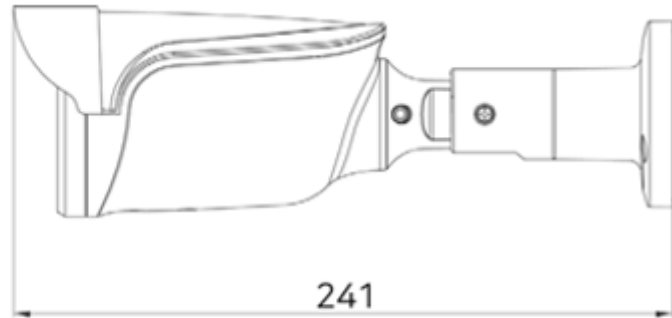
| Feature                  | Specification  |
|--------------------------|--|
| Thermal Detection Sensor | LWIR Sensor, wavelength 8~14 um  |
| FOV / Distance           | 51°(HFOV), 39°(VFOV) / 1~3m  |
| Detection Degree         | 30 ~ 40°C  |
| Temperature Accuracy     | ±0.5°C (@ 1M and 25°F/ 77 °F)  |
| Minimum Object Size      | Distance 1m : 0.05m (H) x 0.05m (V)<br>Distance 3m : 0.15m (H) x 0.15m (V)                         |
| Detection Time           | 1, 3, 5, 10 sec  |
| Action Time              | Keep On, 20, 30, 40, 50, 60 sec  |
| External Alarm In        | 1 Output / 1 Input (TBD)   |
| Camera Image Sensor      | 1/2.8", 2Megapixel PS Sony STARVIS Sensor  |
| Effective Pixels         | 1920 (H) × 1080 (V)  |
| Minimum Illumination     | Color: 0.2Lux@50IRE / F1.2 / 3100K / AGC:10(TBD); BW: 0.0005Lux@50IRE / F1.2 / 3100K / AGC:10(TBD) |
| Shutter Speed            | INDOOR / OUTDOOR / INDOOR-ANTI BLUR / OUTDOOR-ANTI BLUR / MANUAL(1/30~1/30000, 12steps)            |
| White Balance            | Auto / Autoext/ Preset / Manual  |
| WDR                      | LOW / MIDDLE / HIGH  |
| Gain Control (AGC)       | 0~10   |
| ACE                      | OFF / Low / Middle / High  |
| DNR                      | OFF / Low / Middle / High  |
| DSS                      | OFF/Auto / x2/ x4 / x8 / x16 / x32   |
| Lens                     | Filter: True Day & Night (ICR) Type: 3.6mm Fixed Mega Pixel Lens                                   |
| Video Compression        | H.264 (MPEG4 AVC) Main profile, Baseline profile / MJPEG   |
| Back Light Compensation  | OFF/ ON / HLC (LEVEL(0~20) / COLOR)  |
| Video Streaming          | 1st : H.264 Stream up to 1080p 30fps; 2nd : H.264 nHStream / 30fps; 3rd: JPEG 1080P Stream / 1fps  |
| Privacy Mask             | ON / OFF (BOX-10 Positions)  |

| Feature               | Specification   |
|-----------------------|---|
| Resolution            | 1st : 1920×1080, 1280×720, 800×600, 704×480, 704×400, 640×360, 480×272, 320×184 ; 2nd : 640×360, 480×272, 320×184 3rd : 1920×1080         |
| ICR                   | AUTO / COLOR / BW / EXTERN  |
| ROI                   | Max 2 x ROI area setting for fever detection  |
| Mirror                | Horizontal / Vertical   |
| Bit Rate              | 128Kbps ~ 5Mbps   |
| DE-FOG                | OFF / ON (MODE, LEVEL)  |
| Protocol              | HTTP / RTSP/RTP / Onvif (TBD) / TCP/IP / UDP / ARP / ICMP / DHCP/ NTP/ ONVIF  |
| Ethernet              | 1 Fast Ethernet RJ-45 port (10/100Mbps)   |
| IP Address Filtering  | TBD   |
| User Account          | Max. 3 users  |
| Smart Phone           | iPhone, iPad, Android Phone   |
| No. of IR LEDs        | 30pcs   |
| Operating Temperature | -10°C ~ 45°C  |
| Humidity              | 0% RH ~ 80% RH  |
| Power Source          | DC 12V ±10% / PoE (36V~57V)   |
| Power Consumption     | IR OFF:150mA(MAX) / IR ON:400mA(MAX) (When PoEis used, the power consumption is increased by max 30% due to the power efficiency of PoE.) |
| Weatherproof Standard | IP66  |
| Dimension             | 241mm × 78.6mm x 81.1mm   |
| Weight                | 0.46kg  |

Dimensions (mm/inch)



(FRONT VIEW)



(SIDE VIEW)