



Video Door Phone User Manual

Version 2.0.1




Foreword

General

This Video Door Phone User Manual (hereinafter referred to be "User Manual") introduces the functions, installation, and operations of the Video Door Phone.

Safety Instructions

The following categorized signal words with defined meaning might appear in the User Manual.

Signal Words	Meaning
 WARNING	Indicates a medium or low potential hazard which, if not avoided, could result in slight or moderate injury.
 CAUTION	Indicates a potential risk which, if not avoided, may result in property damage, data loss, lower performance, or unpredictable result.
 NOTE	Provides additional information as the emphasis and supplement to the text.

Privacy Protection Notice

As the device user or data controller, you might collect personal data of others' such as face, fingerprints, car plate number, Email address, phone number, GPS and so on. You need to be in compliance with the local privacy protection laws and regulations to protect the legitimate rights and interests of other people by implementing measures include but not limited to providing clear and visible identification to inform data subject the existence of surveillance area and providing related contact.

About this User Manual

- The User Manual is for reference only. If there is inconsistency between the User Manual and the actual product, the actual product shall prevail.
- We are not liable for any loss caused by the operations that do not comply with the User Manual.
- The User Manual would be updated according to the latest laws and regulations of related regions. For detailed information, see the paper User Manual, CD-ROM, QR code or our official website. If there is inconsistency between paper User Manual and the electronic version, the electronic version shall prevail.
- All the designs and software are subject to change without prior written notice. The product updates might cause some differences between the actual product and the User Manual. Please contact the customer service for the latest program and supplementary documentation.
- There still might be deviation in technical data, functions and operations description, or errors in print. If there is any doubt or dispute, please refer to our final explanation.
- Upgrade the reader software or try other mainstream reader software if the User Manual (in PDF format) cannot be opened.
- All trademarks, registered trademarks and the company names in the User Manual are the properties of their respective owners.
- Please visit our website, contact the supplier or customer service if there is any problem occurred when using the device.
- If there is any uncertainty or controversy, please refer to our final explanation.

Important Safeguards and Warnings

Electrical safety

- All installation and operation should conform to your local electrical safety codes.
- The power source shall conform to the Safety Extra Low Voltage (SELV) standard, and supply power with rated voltage which conforms to Limited power Source requirement according to IEC60950-1. Please note that the power supply requirement is subject to the device label.
- Make sure the power supply is correct before operating the device.
- A readily accessible disconnect device shall be incorporated in the building installation wiring.
- Prevent the power cable from being trampled or pressed, especially the plug, power socket and the junction extruded from the device.

Environment

- Do not aim the device at strong light to focus, such as lamp light and sun light; otherwise, it might cause over brightness or light marks, which are not the device malfunction, and affect the longevity of Complementary Metal-Oxide Semiconductor (CMOS).
- Do not place the device in a damp or dusty environment, extremely hot or cold temperatures, or the locations with strong electromagnetic radiation or unstable lighting.
- Keep the device away from any liquid to avoid damage to the internal components.
- Keep the indoor device away from rain or damp to avoid fire or lightning.
- Keep sound ventilation to avoid heat accumulation.
- Transport, use and store the device within the range of allowed humidity and temperature.
- Heavy stress, violent vibration or water splash are not allowed during transportation, storage and installation.
- Pack the device with standard factory packaging or the equivalent material when transporting the device.
- Install the device in the location where only the professional staff with relevant knowledge of safety guards and warnings can access. The accidental injury might happen to the non-professionals who enter the installation area when the device is operating normally.

Operation and Daily Maintenance

- Do not touch the heat dissipation component of the device to avoid scald.
- Carefully follow the instructions in the User Manual when performing any disassembly operation about the device; otherwise, it might cause water leakage or poor image quality due to unprofessional disassemble. Please contact after-sale service for desiccant replacement if there is condensed fogfound on the lens after unpacking or when the desiccant turns green. (Not all models are included with the desiccant).
- It is recommended to use the device together with lightning arrester to improve lightning ★ protection effect.
- It is recommended connect the grounding hole to the ground to enhance the reliability of the device.
- Do not touch the image sensor directly (CMOS). Dust and dirt could be removed with air blower, or you can wipe the lens gently with soft cloth that moistened with alcohol.
- Device body can be cleaned with soft dry cloth, which can also be used to remove stubborn stains when moistened with mild detergent. To avoid possible damage on device body coating which could cause performance decrease, do not use volatile solvent such as alcohol, benzene, diluent and so on to clean the device body, nor can strong, abrasive detergent be used.

- Dome cover is an optical component, do not touch or wipe the cover with your hands directly during installation or operation. For removing dust, grease or fingerprints, wipe gently with moisten oil-free cotton with diethyl or moisten soft cloth. You can also air blower to remove dust.



WARNING

- Use standard components or accessories provided by manufacturer and make sure the device is installed and maintained by professional engineers.
- The surface of the image sensor should not be exposed to laser beam radiation in an environment where a laser beam device is used.
- Do not provide two or more power supply sources for the device unless otherwise specified. A failure to follow this instruction might cause damage to the device.

Regulatory Information



FCC Information

Changes or modifications not expressly approved by the party responsible for compliance could void the user's authority to operate the equipment.

FCC conditions:

This device complies with part 15 of the FCC Rules. Operation is subject to the following two conditions:

- This device may not cause harmful interference.
- This device must accept any interference received, including interference that may cause undesired operation.

FCC compliance:

- This equipment has been tested and found to comply with the limits for a digital device, pursuant to part 15 of the FCC Rules. This equipment generate, uses and can radiate radio frequency energy and, if not installed and used in accordance with the User Manual, may cause harmful interference to radio communication.
- For class A device, these limits are designed to provide reasonable protection against harmful interference in a commercial environment. Operation of this equipment in a residential area is likely to cause harmful interference in which case the user will be required to correct the interference at his own expense.
- For class B device, these limits are designed to provide reasonable protection against harmful interference in a residential installation. However, there is no guarantee that interference will not occur in a particular installation. If this equipment does cause harmful interference to radio or television reception, which can be determined by turning the equipment off and on, the user is encouraged to try to correct the interference by one or more of the following measures:

- Reorient or relocate the receiving antenna.
- Increase the separation between the equipment and receiver.
- Connect the equipment into an outlet on a circuit different from that to which the receiver is connected.
- Consult the dealer or an experienced radio/TV technician for help.

Table of Contents

Foreword.....	2
General	2
Safety Instructions	2
Privacy Protection Notice.....	2
About this User Manual	3
Important Safeguards and Warnings.....	4
Electrical safety	4
Environment	4
Operation and Daily Maintenance	4
Regulatory Information	6
FCC Information	6
FCC conditions:.....	6
FCC compliance:	6
Welcome	9
1 Introduction.....	10
1.1 Features & Functions	10
1.1.1 Outdoor Panel	10
1.2 Specification Outdoor Panel.....	10
1.3 VDP (Video Door Phone) Content.....	10
1.4 Hardware Description	11
1.5 Operation of the video door phone	11
2 Installation.....	12
3 Cabling Requirement	13
4 Precautions	14

Welcome

Thank you for purchasing CP PLUS Video Door Phone!

This user's manual is designed to be a reference tool for VDP system. Please open the accessory bag to check the items one by one in accordance with the list below. Contact your local retailer ASAP if something is missing or damaged in the bag.

1 Introduction

Video Door Phone is an intercom system that is used to make calls from the entrance of a building to communicate with visitors without any physical interaction and engage with them only if you wish to. Video Door Phones not only increase home security, but also provide convenience.

The VDP system has an outdoor unit for visitors and an indoor monitor for residents. It provides audio and video connection between the residents and visitors. Release electric door. Higher safety and comfort for residents

1.1 Features & Functions

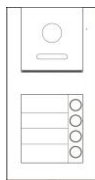
1.1.1 Outdoor Panel

- Wide Angle color camera
- 4 Wires in polarity
- Door lock release
- White LED for night vision
- Surface mounted

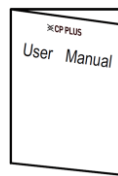
1.2 Specification Outdoor Panel

Category	Specification
Camera Resolution	700 TVL
Focal Length	1.25mm
White LED	4 nos.
AoV	
Wiring	4 Wire Monitor/2 Wire Electronic lock
Operation temperature	-10~45°C
Dimension (mm)	90(W)x176(H)x27(D)

1.3 VDP (Video Door Phone) Content

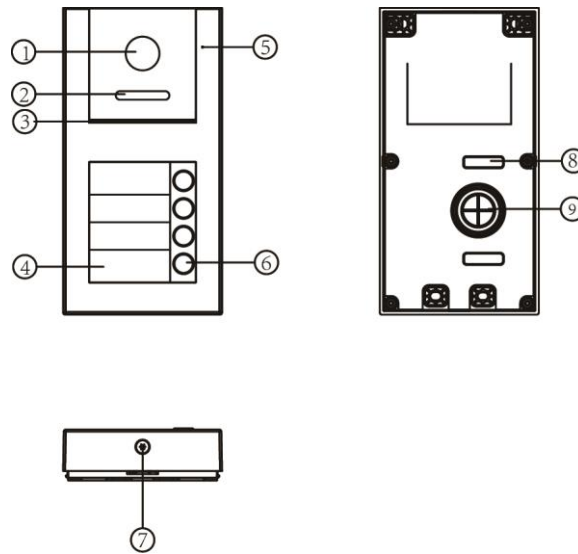


Outdoor Panel







User Manual

1.4 Hardware Description

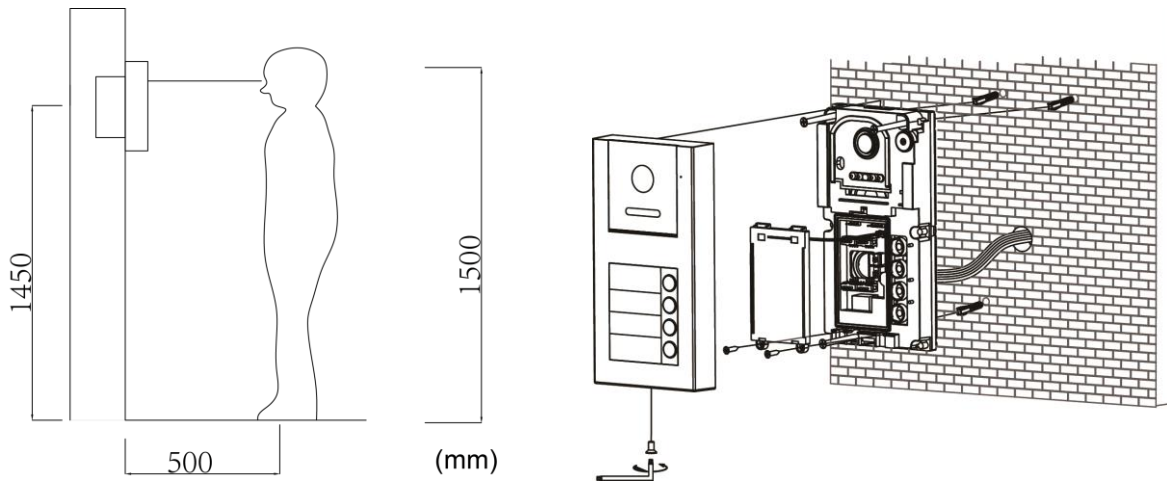


No.	Part Name	Description
1	Camera	700TV high quality camera
2	White LED	For night vision
3	Speaker	To get the audio from Indoor monitor
4	Nameplate paper	To show who you are calling
5	Microphone	To send audio to Indoor monitor
6	Call button	To ring call in indoor monitor
7	Anti-theft screw	Fixed the front case and main body
8	Test point	Used for the mass production test
9	Terminal for Indoor Monitor and Electronic lock	To connect indoor monitor and lock with door panel

1.5 Operation of the video door phone

- Visitors press the call button of the outdoor panel to call the monitor. To accept the call, press Talk button on the video monitor. Talking time lasts for 60s.
- Below is the button description for indoor monitors
 - To talk between the monitor and camera unit, please press 
 - To Intercom with the slave monitor, please press 
 - To monitor the outdoor panel, please press 
 - To control an electric door release, please press 

2 Installation



- a. Choose a suitable location to install the system, it is recommended to fix the monitor at the user-eyes height between 145cm and 160cm.
- b. Mark the holes of the frame on the wall and drill the holes.
- c. Drill the hole into the wall in the center of the bracket for cables go through the wall.
- d. Fix the bracket with extension pipe and screws.
- e. The outdoor panel should be mount at eye level of a person.

3 Cabling Requirement

Video door phone system uses 4 core cables. Cable should be used according to different distance requirement from outdoor panel to indoor monitor. In the areas with high possibility of interference it is recommended to use a 75ohm coaxial for connection for better video signal.

RVV4 (mm)	0.3	0.5
Distance (mm)	30	50

4 Precautions

- Do not place the monitor to the TV-set or into environment with high temperature and damp place.
- Do not take apart outdoor unit or any parts of the video system.
- Protect the lens of outdoor camera unit from direct sun light to avoid pale picture on the monitor.
- Do not use the equipment when with vibrations environment. Protect the equipment from falls.



CAUTION

The outdoor unit is suitable only installed inside building, or outside building but under rain shelter. Else, there is a risk of damage to the product.

Thanks for Choosing CP Plus!



Website: - www.cpplusworld.com

Email id: - sales@cpplusworld.com; support@cpplusworld.com
